

LARGE FORMAT
GAS FIRES



Charlton & Jenrick^{LTD}

EST. 1986

LARGE FORMAT FIRES FROM CHARLTON & JENRICK

For over 35 years, Charlton & Jenrick have been at the forefront of improving the technology and efficiency of 'living flame' gas fires.

For homes with or without a chimney, for a traditional or modern feel, we have a range of super-efficient glass-fronted fires that will create the perfect centrepiece for your living room.

Tailor your fire to meet your needs

You can tailor your fire to your exact taste and needs, choosing from our range of different trims, fascias and liner options. You will see that with Charlton & Jenrick you're spoilt for choice.



Here at Charlton and Jenrick we constantly strive to maintain a high level of efficiency, with our most efficient fires achieving up to 91% efficiency.

EXAMPLE USED: Infinity 890HD BF

INTRODUCING

Mains Power

Being mains powered offers a number of advantages over the battery operated versions, most notably no need to be regularly replacing batteries; but the lack of batteries also means reduced metal work at the front of the fire, meaning you see more flame and fuel bed and less metal work framing your fire.

The mains power is provided by a lightweight 9V cable which will easily fit under skirting board or flooring and simply plugs into a standard plug socket.

Choice of Firebox Liner Options

The ranges come with a choice of different firebox liners. You will see the liner options available for each specific fire on their relevant pages.

Firebox liner types include: Black Ceramic, Beige Vermiculite, Red Brick, Herringbone Brick and Black Glass. In some cases the fires may come as standard with a black glass liner with other liners available as an optional extra. Your chosen retailer will be able to advise of this.

Please Note: not all fires are available with all liners; please check with your retail showroom who will be able to give you more detail.



Infinity Thermostatic Remote Control

Every Infinity Fire comes with a thermostatic radio frequency remote control that allows you to set the perfect temperature for your room and the fire can be set to regulate itself to achieve this.

Standard or Reduced (Anti-reflective Glass)

Our gas fires come with either Standard or Anti-reflective front glass. The reduced reflectivity eliminates the majority of reflection to give the appearance of an 'open' fire without any glass in front.

Remote Control

All fires in this brochure are remotely controlled with the Paragon Models all using the latest Bluetooth and the Infinity models the latest in radio frequency technology.

Some of the Infinity models also have a Smart App option for controlling the fires. Please see individual product pages or the specifications tables at the back of the brochure for confirmation.



OPTIONS

ALL FIRES APPROVED TO LATEST EFFICIENCY STANDARDS FOR UK INSET GAS FIRES.

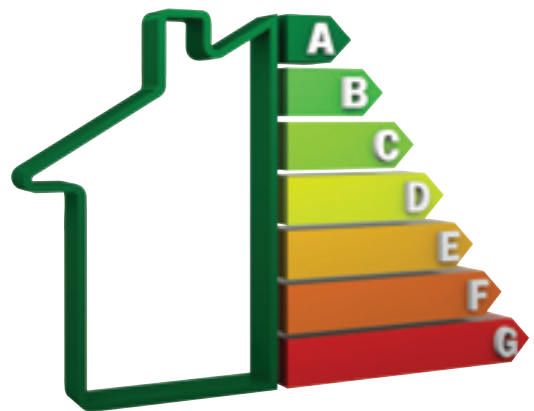
As part of the continual improvement programme at Charlton & Jenrick, we take pride in innovating & developing our fires, always striving for improvements. Part of this process requires that we test all our gas fires to the current efficiency standards, ensuring our customers always receive up-to-date products.

All the open-flue inset fires (glass-front) in this brochure have been independently certified to the efficiency requirements of **BS 7977-1:2009+A1:2013** which came into force in late 2013 and included an amendment that requires all gas fires to be tested without excessive spillage on the efficiency test rig to claim an efficiency. Balanced-flue fires and direct connection open-flue fires are tested to the latest revision of **BS EN 613:2001**.

The efficiencies quoted in this brochure are the Net efficiencies which are usually advertised in marketing literature. A brief explanation is on the following spread and if you wish to see a copy of the standards we use, further details can be found at www.bsigroup.com.

SAP RATING

If you are buying a new home, the SAP rating will be of importance and the efficiency of the fire can either have a positive or negative effect on the rating. If the efficiency is not certified as precisely to the latest standards (detailed right) then it will be included in the calculation at the minimum level for that class of fire, not the one claimed by the manufacturer.



EFFICIENCY EXPLAINED

Net Efficiency v Gross Efficiency

Net efficiency calculations assume that the energy contained in the water vapour which is formed as a product of combustion is recovered in some way, e.g. into the fabric of the building, and is not lost from the flue/chimney. Gross combustion efficiency calculations assume that the energy contained in the water vapour is not recovered and is lost to the outside air. Typically the difference between the value of net combustion efficiency and the value of gross combustion efficiency for a natural gas fire is around 5 to 8 percentage points with the net value being higher than the gross value. Most gas fire manufacturers quote their efficiencies based on the net combustion efficiency, although the gross value is often stated in the installation instructions for Building Regulations purposes.

Energy efficiency for SAP ratings in your home

The latest version of The Building Regulations call upon the mentioned standard efficiency tests in relation to calculating the rating of your gas fire for SAP (Standard Assessment Procedure) purposes. If your fire has not been approved to the correct standards then an accurate calculation cannot be made and a nominal low standard figure from the SAP guide will be used instead. For more details please visit www.gov.uk/standard-assessment-procedure.

When considering your purchase of a gas fire it is important to ensure you are comparing like for like. If unsure, it is always worth confirming with the staff in the showroom you are using, or the manufacturer of the fire, that the appliance has been tested to the very latest version of BS 7977 i.e. including +A1: 2013.

TESTED AND APPROVED WITH GUARANTEED QUALITY

Every Charlton & Jenrick fire is designed to the highest standards using only the finest materials, as well as being tested and approved to UK and European Standards, meaning we can be confident about every fire we make. So confident, in fact, each fire comes with a **two-year parts and labour warranty**, with the option of extending the parts warranty for a further three years if you fill in your warranty registration and return to us within one month of purchasing your product.*

























*Subject to terms and conditions which you will find on our website, including having your appliance serviced every year by a qualified Gas Safe Registered Engineer.



All Charlton & Jenrick gas fires are manufactured under a **BS EN ISO 9001** quality system (registration number 5195), which covers all areas of product design, development, manufacture and service.

AT A GLANCE SYMBOLS – TO HELP YOU CHOOSE

GLASS TYPE	FUEL BED OPTIONS	LINER OPTIONS	FEATURES
 ANTI-REFLECTIVE HIGH-EFFICIENCY GLASS	 LOG FUEL BED	 BLACK MIRROR GLASS LINER	 2.1 kW OUTPUT
 HIGH-EFFICIENCY GLASS	 WALNUT LOG FUEL BED	 RIBBED BLACK LINER	 86% NET EFFICIENCY
CHIMNEY TYPE	 MIXED LOG FUEL BED	 RED BRICK LINER	 REMOTE CONTROL
 TYPE 1	 UNDER BED LIGHTING (UBL)	 BEIGE VERMICULITE LINER	 SMART CONTROL APP COMPATIBLE
 TYPE 2	FUEL TYPE	 HERRINGBONE BRICK LINER	 5 YEAR GUARANTEED QUALITY WARRANTY
 BALANCED FLUE (BF)	 NATURAL GAS (NG)		
 PRE-CAST FLUE	 LIQUIFIED PETROLEUM GAS (LPG)		

HYDROGEN BLEND READY

As part of the continued Charlton and Jenrick Ltd investment in the latest glass front gas fire technologies, we have undertaken in-house testing to allow a selection of our glass front range to be 'Hydrogen mix ready', with the rest still being developed in the near future.

This can be achieved without any future upgrades to the appliance allow your new purchase to work on the new 'Green Gas' of the future. This technology is the subject of a test by HyDeploy, who have been running gas appliances with a 20% hydrogen blend in several projects.

Blending up to 20% hydrogen into the gas grid with 80% existing natural gas could save up to 6 million tonnes of carbon dioxide emissions every year. This is an exciting development for the gas fire industry and shows that gas is an eco-friendly option for well into the future, helping Britain cut its carbon emissions and work towards the Government's Net Zero target without affecting how gas appliances are used.



CONTENTS

PAGE 8

PARAGON P11 SERIES



PAGE 10

PARAGON P5 CF SERIES



PAGE 12

PARAGON P5 BF SERIES



PAGE 14

INFINITY 800HD UBL CF



PAGE 16

INFINITY 800HD UBL BF



PAGE 18

INFINITY 600HD



PAGE 20

INFINITY 780FL



PAGE 22

INFINITY 890HD CF



PAGE 24

INFINITY 890HD BF



PAGE 26

PANACHE 8040



PAGE 28

DIMENSIONS & SPECIFICATIONS



PARAGON P11 SERIES

The Paragon P11 has been developed using the new Paragon firebox technology.

The fire can be installed within a 3" (75mm) or 1" (25mm) rebated surround without the need for any optional kits or building work. The P11 is also designed so that it can be installed in the wall with either a plastered edge finish or with decorative slips.

A large glass window gives a fabulous view of the ultra-realistic log fuel bed and flame picture created by our own burner technology.

The P11 is operated by the latest in Bluetooth technology from the remote control handset. This will allow full operation of the appliance from the comfort of your chair.

Key Features/Options

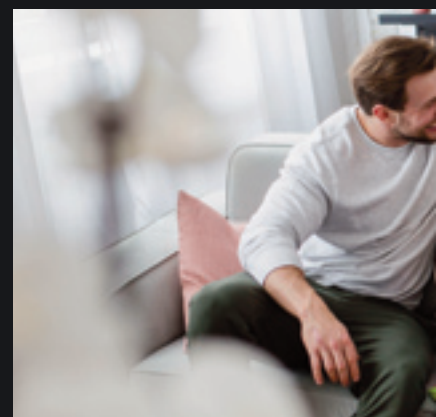
- Fits a Class 1 or Class 2 chimney
- 4.4kW output from a 6.1kW input
- Anti-reflective glass as standard. This reduces the majority of reflections and gives the fire an 'open flame' effect
- Plug-in transformer power as standard. Backup battery option in the case of mains power outage
- Bluetooth remote control system – on/off, pilot standby and variable rate between high and low rate
- Black Mirror Glass or Black Ribbed Ceramic firebox liners
- Realistic fresh cut log flame effect
- 80% efficient to **BS 7977-1:2009 + A1:2013** (as amended).



For specifications refer to the technical datasheet



Paragon P11 shown in Aylesbury surround with Black Ribbed Ceramic firebox liners





Scan the QR code to see the Paragon P11 in action on YouTube now ▶



Paragon P11 shown in Beckford surround with Black Mirror Glass firebox liners



Choice of two firebox liners

Black Ribbed Ceramic firebox liners



Black Mirror Glass firebox liners





PARAGON P5 CF SERIES

The Paragon P5 gas fire series has striking visual impact combined with excellent efficiency. This fire utilises the latest advanced Core flat burner technology.

The size of the P5 allows for installation into a large majority of chimney breasts without the need for any additional building work. This size is also perfectly proportioned to fit with the popular 54" fireplace designs that are available from all fireplace retailers.

Control comes in the form of the latest in user-friendly Bluetooth technology via a remote-control handset. This will allow full operation of the fire from the comfort of your chair.

Key Features/Options

- Fits a Class 1 or Class 2 chimney
- 5.6kW output from a 7.5kW input
- No additional ventilation required
- Anti-reflective glass as standard. This reduces the majority of reflections and gives the fire an 'open' effect
- Plug-in transformer power as standard. Backup battery option in the case of mains power outage
- Bluetooth remote control system – on/off, pilot standby and variable rate between high and low rate
- Black Mirror Glass or Black Ribbed Ceramic firebox liners
- High definition fresh cut finish log fuel bed
- 83% efficient to **BS 7977-1:2009 + A1:2013** (as amended).



For specifications refer to the technical datasheet

Choice of two firebox liners

Black Ribbed Ceramic firebox liners



Black Mirror Glass firebox liners



NO ADDITIONAL VENTILATION REQUIRED



Paragon P5 shown in Wenlock limestone surround with Black Mirror Glass firebox liners



PARAGON P5 BF SERIES

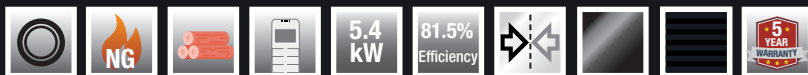
The Paragon P5 BF offers a balanced flue alternative to the P5 conventional flue.

The rear-vent snorkel balanced flue system enables the installation to be clean and neat onto an outside wall. In many cases this removes the need for additional building work and false chimney breast.

The P5 BF is controlled by the latest in Bluetooth technology via a remote handset. This will allow full operation of the appliance from the comfort of your chair.

Key Features/Options

- For homes without a chimney
- 5.4kW output from a 7.4kW input
- Anti-reflective glass as standard. This reduces the majority of reflections and gives the fire an 'open flame' effect
- Plug-in transformer power as standard. Backup battery option in the case of mains power outage
- Bluetooth remote control system – on/off, pilot standby and variable rate between high and low rate
- Black Mirror Glass or Black Ribbed Ceramic firebox liners
- High definition fresh cut finish log fuel bed
- 81.5% efficient to **BS EN 613:2001**.

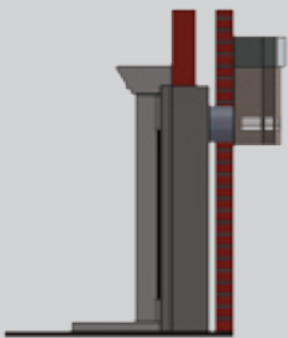


For specifications refer to the technical datasheet





Paragon P5 BF shown in Aylesbury surround with Black Mirror Glass firebox liners



Paragon P5 BF balanced flue within a cavity wall

Choice of two firebox liners

Black Ribbed Ceramic firebox liners



Black Mirror Glass firebox liners





NO ADDITIONAL VENTILATION REQUIRED

INFINITY 800HD UBL CF

Utilising the latest Charlton & Jenrick raised burner technology with the addition of a unique under bed lighting system has resulted in the most realistic wood-burning effect gas fire to date from Infinity.

The under bed lighting can be used separately from the gas to offer a burning ember bed look with flickering lights to give that warm and cosy focal point in your lounge even if heat from the fire is not required.

The under bed lighting system can also be used in conjunction with the powerful gas flames, offering five levels of flame, to create the ultimate realistic wood-burning effect.

Key Features/Options

- Fits a Class 1 or Class 2 chimney and will fit into 32" and 36" standard chimney breast without the need for additional building work
- 5.6kW output from a 7.7kW input
- Anti-reflective glass as standard. This reduces the majority of reflections and gives the fire an 'open flame' effect
- Plug-in transformer power as standard. Backup battery option in the case of mains power outage
- Remote control allows full operation of both flames and UBL ember/flicker effects
- Black Mirror Glass firebox liners as standard. Beige Vermiculite and Red Brick liners are available as an optional extra
- High definition fresh cut finish Walnut effect log fuel bed
- Programmable thermostat room control and optional day timer setting as standard
- 81% efficient to **BS 7977-1:2009 + A1:2013** (as amended)
- Optional black glass fascia available for hole-in-the-wall installation.



For specifications refer to the technical datasheet

Firebed options



Infinity 800HD UBL CF showing gas flame only



Infinity 800HD UBL CF showing under bed lighting only



Infinity 800HD UBL CF showing gas flame and under bed lighting



Walnut Logs





Scan the QR code to see
the 800HD UBL CF in
action on YouTube now ▶



Infinity 800HD UBL CF with Black Mirror Glass Liners and Walnut Logs options shown in Balmoral Surround



Infinity 800HD UBL CF with optional Vermiculite Liners and Walnut Logs options shown in Balmoral Surround



Infinity 800HD UBL CF with optional Red Brick Liners and Walnut Logs options shown in Stapleton Surround



NO ADDITIONAL
VENTILATION REQUIRED

INFINITY 800HD UBL BF

Using the latest raised burner technology with the addition of under bed lighting makes this the largest and most realistic fire in the range.

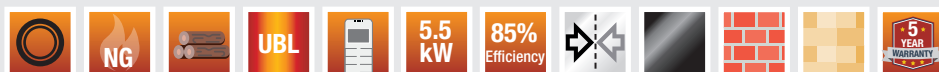
The rear-vented snorkel balanced-flue system enables the installation to be clean and neat on an outside wall. In many cases this removes the need for additional building work and a false chimney breast.

This fire produces outstanding heat output, efficiency and performance when required but with the additional option of using the under bed lighting separately from the gas to offer an ember or flicker light option when ambience is required without the heat.

The under bed lighting system can also be used with the powerful gas flames, utilising the five levels of flame, to create the ultimate realistic wood-burning effect.

Key Features/Options

- For homes without a chimney
- 5.5kW output from a 7.2kW input
- Anti-reflective glass as standard. This reduces the majority of reflections and gives the fire an 'open flame' effect
- Plug-in transformer power as standard. Backup battery option in the case of mains power outage
- Remote control allows full operation of both flames and UBL ember/flicker effects
- Black Mirror Glass firebox liners as standard. Beige Vermiculite and Red Brick liners are available as an optional extra
- High definition fresh cut finish Walnut effect log fuel bed
- Programmable thermostat room control and optional day timer setting as standard
- 85% efficient to **BS EN 613:2001**
- Optional black glass fascia available for hole-in-the-wall installation.



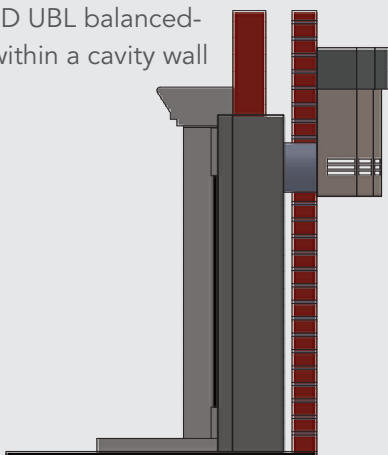
For specifications refer to the technical datasheet





Infinity 800HD UBL BF with Black Mirror Glass Liners and Walnut Logs options shown in Condover Surround

800HD UBL balanced-flue within a cavity wall



Infinity 800HD UBL BF with Black Glass Liners



Infinity 800HD UBL BF showing under bed lighting only



INFINITY 600HD

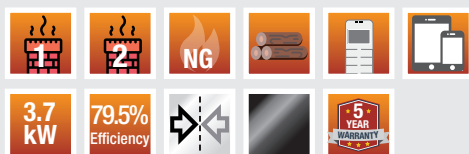
The 600HD maintains the stunning looks of the 890HD landscape design but in a more compact package which will fit in the smallest UK chimney catchment spaces.

The fire benefits from bespoke, realistic high-definition log shapes and improved ember base plus a sparkling ember glow which is visible even when the fire is set to the low gas input setting. The gas operation offers five levels of flame giving you full control of the heat output.

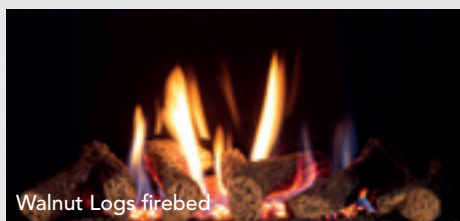
Flexibility of the 600HD is also impressive, offering the options of fitting trimless or with a four-sided trim option, of which there are up to three different trim colours and designs to blend into any room. Alternatively you can fit the fire within a fireplace having a 2" to 3" rebated surround to produce a stunning focal point to any living area.

Key Features/Options

- Fits a Class 1 or Class 2 chimney
- 3.7kW output from a 5.2kW input
- Anti-reflective glass as standard. This reduces the majority of reflections and gives the fire an 'open flame' effect
- Plug-in transformer power as standard. Backup battery option in the case of mains power outage
- Remote control provides full operation of the fire
- Black Mirror Glass firebox liners as standard
- High definition fresh cut finish Walnut effect log fuel bed
- Programmable thermostatic room temperature control and optional day timer setting as standard
- 79.5% efficient to **BS 7977-1:2009 + A1:2013** (as amended)
- Optional Infinity Smart Control Remote App for tablet or smart phone control
- Optional 5" direct connection liner adapter available
- Optional fireplace and trimless frame Kit
- Three and four-sided frame designs available.



For specifications refer to the technical datasheet



Available trims:



Brushed Stainless Steel Flat Trim



Piano Black Flat Trim



Graphite Flat Trim



Infinity 600HD hole-in-the-wall fire with Black Glass Liners and Walnut Logs fuel bed shown in Graphite Flat Trim



INFINITY 780FL

A large hole-in-the-wall gas fire that creates a stunning centrepiece to your room. The 780FL is an extremely popular gas fire due to the dimensions which offer a wider fire than the norm.

This fire set the trend for luxury gas fires of these proportions, so much so that you will now see imitation products appear on the market. The original and still the best, the 780FL is a beautiful fire for any living room.

Designed to give a realistic flame picture from a modest 7.6kW input, which usually means no additional ventilation in the room. This fire features our new optional herringbone brick liners and mixed log set, creating a contemporary twist on a classic design.

Key Features/Options

- Fits a Class 1 or Class 2 chimney and 5" flues so will fit into existing fireplace openings
- 5.6kW output from a 7.6kW input
- Large highly-efficient glass front
- Plug-in transformer power as standard. Backup battery option in the case of mains power outage
- Remote control provides full operation of the fire
- Black Mirror Glass Firebox liners or new Herringbone Brick Liners options
- Mixed Log effect fuel bed
- Programmable thermostatic room temperature control and optional day timer setting as standard
- 82% efficient to **BS 7977-1:2009 +A1:2013** (as amended)
- Can be fitted 'frameless' in the wall for the ultra modern look or it can be incorporated into a fireplace to create a suite.



For specifications refer to the technical datasheet



Infinity 780FL with Black Mirror Glass Liners and Mixed Log Fuel Bed fitted as a hole-in-the-wall fire





Scan the QR code to see the Infinity 780FL in action on YouTube now ▶



Infinity 780FL with Herringbone Brick Liners and Mixed Logs Fuel Bed shown in Edgemoor Surround



Mixed Logs Fuel Bed with Black Mirror Glass Liners



Mixed Logs Fuel Bed with Herringbone Brick Liners



INFINITY 890HD CF

A stunning landscape hole-in-the-wall fire. Ideally proportioned, the 890HD is the perfect size hole-in-the-wall fire that can be fitted with the optional trims offered, frameless in the wall or with slips.

The 890HD can be controlled using the Infinity Smart App. Once installed on your phone or tablet, the Infinity Smart Control Remote App acts as a remote control and connects via your WiFi internet router or can connect directly using WiFi to the fire.

Key Features/Options

- Fits a Class 1 or Class 2 chimney
- 4.85kW output from a 6.6kW input
- Anti-reflective glass as standard. This reduces the majority of reflections and gives the fire an 'open flame' effect
- Plug-in transformer power as standard. Backup battery option in the case of mains power outage
- Remote control provides full operation of the fire
- Black Mirror Glass firebox liners as standard
- High definition fresh cut finish Walnut effect log fuel bed
- Programmable thermostatic room temperature control and optional day timer setting as standard
- 82% efficient to **BS 7977-1:2009 + A1:2013** (as amended)
- Optional Infinity Smart Control Remote App for tablet or smart phone control
- Can also be fitted as a fire into a wide fireplace to create a suite
- Option to fit flush into the wall or with slips depending on the style of your home.



For specifications refer to the technical datasheet

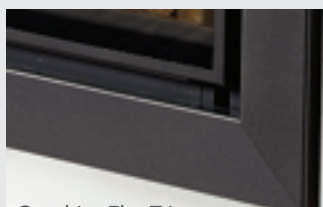
Available trims:



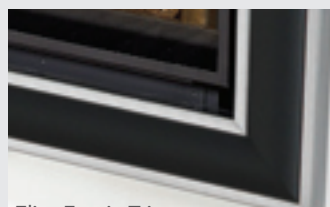
Brushed Stainless Steel Flat Trim



Piano Black Flat Trim



Graphite Flat Trim



Elite Fascia Trim





Infinity 890HD CF with Black Glass Liners and Walnut Logs fuel bed shown in Graphite Flat Trim



INFINITY 890HD BF

A stunning landscape hole-in-the-wall fire, the 890HD BF is the perfect size hole-in-the-wall fire that can be fitted with our zero clearance kit, frameless in the wall with our slip frame kit or with limestone slips.

Remote control operation allows for full control of this fire from the comfort of your chair. Black glass liners and our new mixed log set complement each other perfectly, and the extra-wide flame picture will enhance even the biggest of rooms.

Key Features/Options

- Perfect for homes without a chimney
- 4.9kW output from a 6kW input
- Extra-wide flame picture creating a clear view of the flames
- Plug-in transformer power as standard. Backup battery option in the case of mains power outage
- Remote control provides full operation of the fire
- Black Mirror Glass firebox liners as standard
- Mixed Log effect fuel bed
- Programmable thermostatic room temperature control and optional day timer setting as standard
- 91% efficient to **BS EN 613:2001** (as amended)
- Can also be fitted as a fire into a wide fireplace to create a suite
- Option to fit with our new zero clearance kit, just into plaster, or with limestone slips depending on the look and feel of your home.



For specifications refer to the technical datasheet



Infinity 890HD BF with Black Mirror Glass Liners & Mixed Logs Fuel Bed shown in Limestone Slips

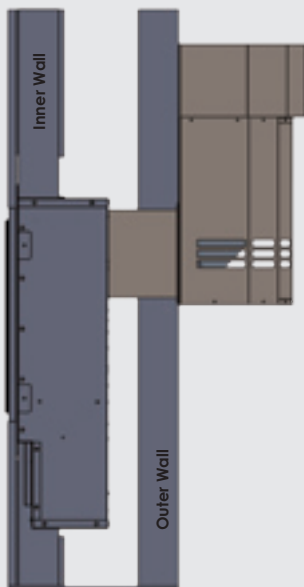


Scan the QR code to see the 890HD BF in action on YouTube now ▶

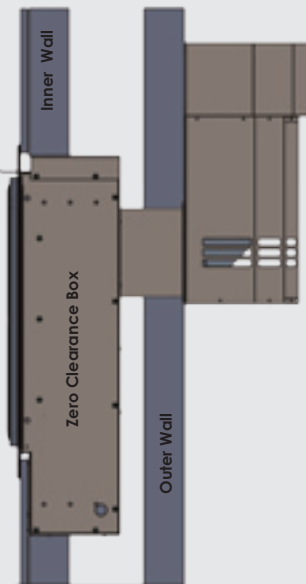


Infinity 890HD BF with Black Mirror Glass Liners and Mixed Logs Fuel Bed shown in Zero Clearance Kit

Infinity 890HD BF fitted with a Slip Frame Kit



Infinity 890HD BF fitted with a Zero Clearance Kit



Mixed Logs Fuel Bed

Panache

LARGE FORMAT GAS FIRES



PANACHE 8040

A new addition to the highly successful Charlton and Jenrick large format gas range, the Panache 8040 is a versatile, elegant fire that will compliment any modern home interior.

Installation can be executed in a trim, our limestone slips, or into our Coalport limestone suite. Ultra-realistic ceramic woodland logs add to the cosy real fire atmosphere created by this fire and black glass liners reflect the flames within, creating a comfortable and inviting living space.

Key Features/Options

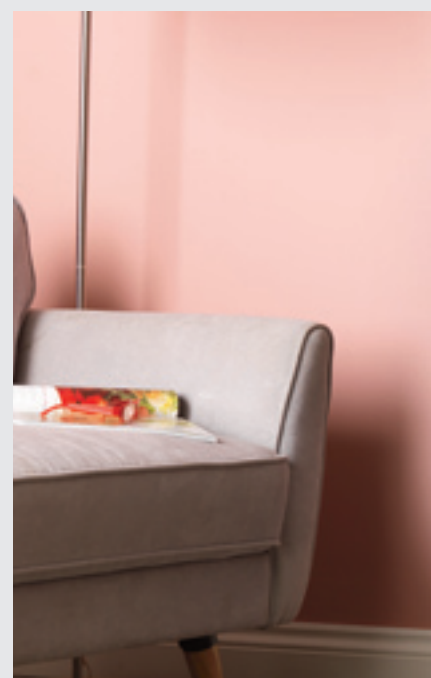
- Fits a Class 1 or Class 2 chimney and 5" flues so will fit into existing fireplace openings
- 4.5kW output from a 6.3kW input
- Large highly-efficient glass front
- Plug-in transformer power as standard. Backup battery option in the case of mains power outage
- Remote control provides full operation of the fire
- Black Mirror Glass firebox liners as standard
- Ultra-realistic woodland log effect fuel bed
- Programmable thermostatic room temperature control and optional day timer setting as standard
- 78% efficient to **BS 7977-1:2009 +A1:2013** (as amended)
- Can be fitted into a trim, with our limestone slips, or incorporated into a fireplace suite for more traditional homes.



For specifications refer to the technical datasheet



Panache 8040 with Black Mirror Glass Liners and Woodland Log Effect Fuel Bed shown in Coalport Limestone Surround





Scan the QR code to see
the Panache 8040 in
action on YouTube now ▶



Panache 8040 with Black Mirror Glass Liners and Woodland Log Effect Fuel Bed shown in Elite Fascia Trim



Panache 8040 with Black Mirror Glass Liners
and Woodland Log Effect Fuel Bed shown Trimless



Panache 8040 with Black Mirror Glass Liners and
Woodland Log Effect Fuel Bed shown with Limestone Slips

DIMENSIONS AND SPECIFICATIONS

Gas type, heat inputs, outputs, efficiency and chimney type

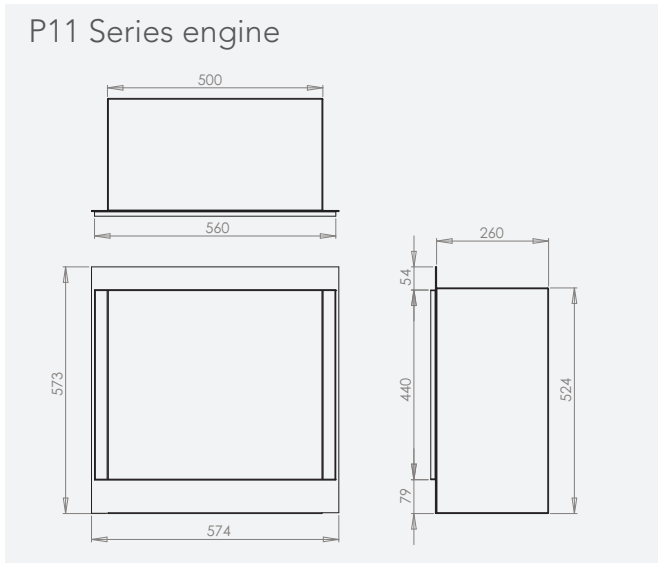
	CHIMNEY TYPE	INPUTS, OUTPUTS & EFFICIENCY							VISIBLE DIMENSIONS W X H (mm)	FIREPLACE OPENINGS:				
		GAS TYPE	INPUT HIGH (kW)	OUTPUT HIGH (kW)	NET EFFICIENCY (%)	INPUT LOW (kW)	EFFICIENCY CLASS	ENERGY CLASS		WIDTH MIN (mm)	WIDTH MAX (mm)	HEIGHT MIN (mm)	HEIGHT MAX (mm)	DEPTH MIN (mm)
P11 SERIES	Class 1 & 2	NG	6.1	4.4	80	3.6	1	D	560 x 440	506	540	535	560	330
P5 CF SERIES	Class 1 & 2	NG	7.5	5.6	83	5.4	1	D	622 x 621	605	740	730	770	330
P5 BF SERIES	Balanced Flue	NG	7.4	5.43	81.5	3.8	1	C	626 x 621	710	780	N/A	935	160
800HD UBL CF	Class 1 & 2	NG	7.7	5.6	81	4.7	1	C	790 x 700	795	860	820	840	330
800HD UBL BF	Balanced Flue	NG	7.2	5.5	85	3.8	1	B	674 x 562	820	890	1025	N/A	170
600HD	Class 1 & 2	NG	5.2	3.7	79.5	3.2	1	D	617 x 337	615	687	420	440	330
780FL Mk2	Class 1 & 2	NG	7.6	5.6	82	4.4	1	D	828 x 429	800	850	610	640	330
890HD CF	Class 1 & 2	NG	6.6	4.85	82	4.3	1	C	911 x 339	910	990	425	445	330
	Class 1 & 2	LPG	5.2	4.5	83.2	3.9	1	C	911 x 339	910	990	425	445	330
890HD BF with Zero Clearance Kit	Balanced Flue	NG	6.0	4.91	91	4.3	1	B	870 x 280	1082	NA	660	NA	171
890HD BF with Slip Frame Kit	Balanced Flue	NG	6.0	4.91	91	4.3	1	B	870 x 280	1015	1025	595	600	161
PANACHE 8040	Class 1 & 2	NG	6.3	4.5	78	4.0	1	D	725 x 322	800	840	480	485	392

Options

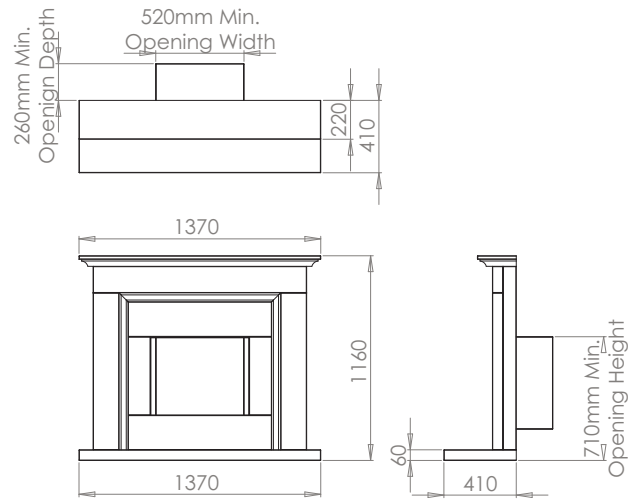
MODEL	GLASS TYPE (HE = HIGH EFFICIENCY)	LINER OPTIONS*					REMOTE OPTIONS		FUEL BED OPTIONS				TRIM OPTIONS (FOR HOLE-IN-THE-WALL FITTINGS)							
		BLACK MIRROR	RIBBED BLACK	RED BRICK	BEIGE VERMICULITE	HERRINGBONE BRICK	SMART REMOTE COMPATIBLE	HAND REMOTE	LOG	WALNUT LOG	MIXED LOG	UNDER BED LIGHTING	BRUSHED STAINLESS STEEL TRIM	PIANO BLACK FLAT TRIM	GRAPHITE FLAT TRIM	SATIN ELITE TRIM	BLACK GLASS FASCIA OPTION	ZERO CLEARANCE KIT	LIMESTONE SLIPS	SLIP FRAME KIT
P11 SERIES	ANTI-REFLECTIVE HE GLASS	•	•				•	•												
P5 CF SERIES	ANTI-REFLECTIVE HE GLASS	•	•				•	•												
P5 BF SERIES	ANTI-REFLECTIVE HE GLASS	•	•				•	•												
800HD UBL CF	ANTI-REFLECTIVE HE GLASS	•		•	•		•		•		•							•		
800HD UBL BF	ANTI-REFLECTIVE HE GLASS	•		•	•		•		•		•							•		
600HD	ANTI-REFLECTIVE HE GLASS	•					•	•	•			•	•	•					•	
780FL	HE GLASS	•			•		•			•										
890HD CF	ANTI-REFLECTIVE HE GLASS	•					•	•	•			•	•	•	•				•	
890HD BF	HE GLASS	•					•			•								•	•	•
PANACHE 8040	HE GLASS	•					•	•							•				•	

* Some liner options don't come as standard and need ordering as an extra option. Please check with your retailer.

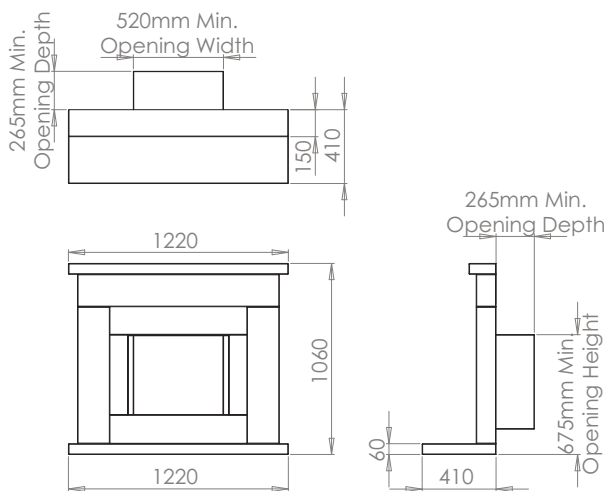
Paragon P11 Series



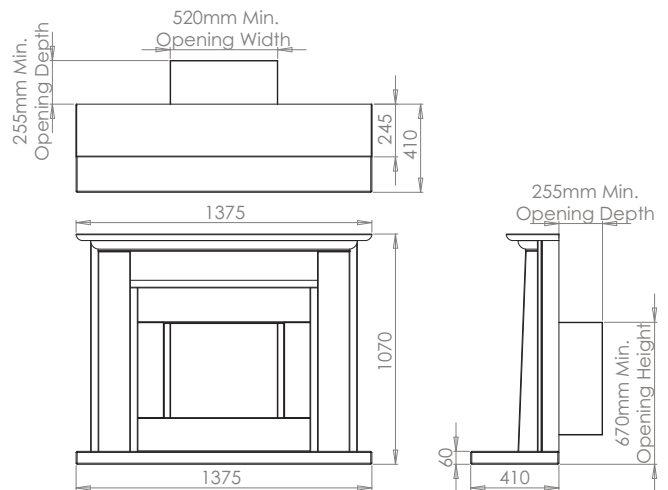
Aylesbury Surround



Beckford Surround

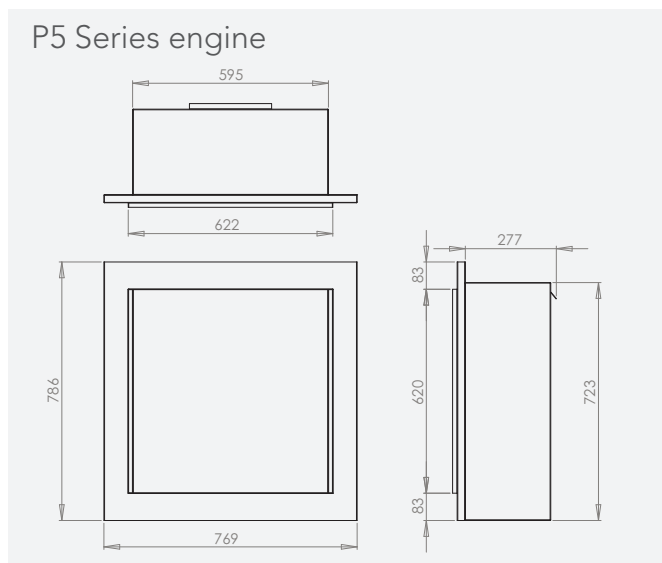


Stokesay Surround

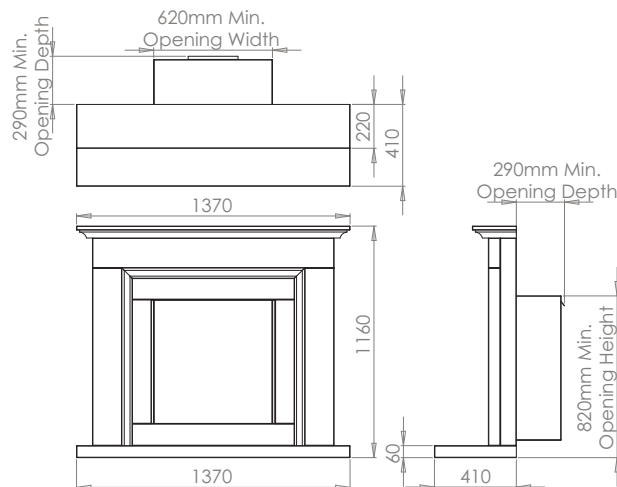


DIMENSIONS AND SPECIFICATIONS

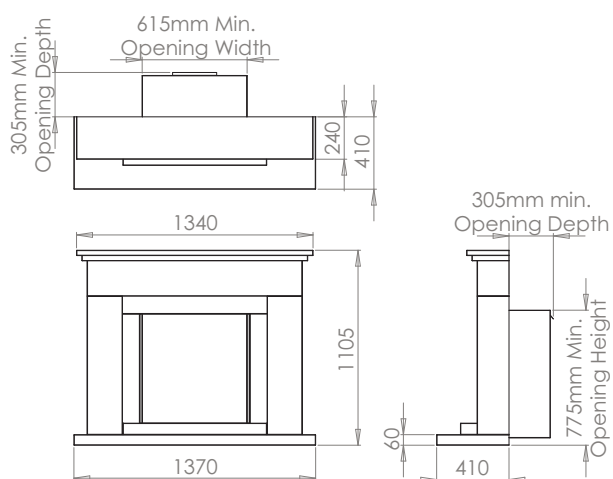
Paragon P5 CF Series



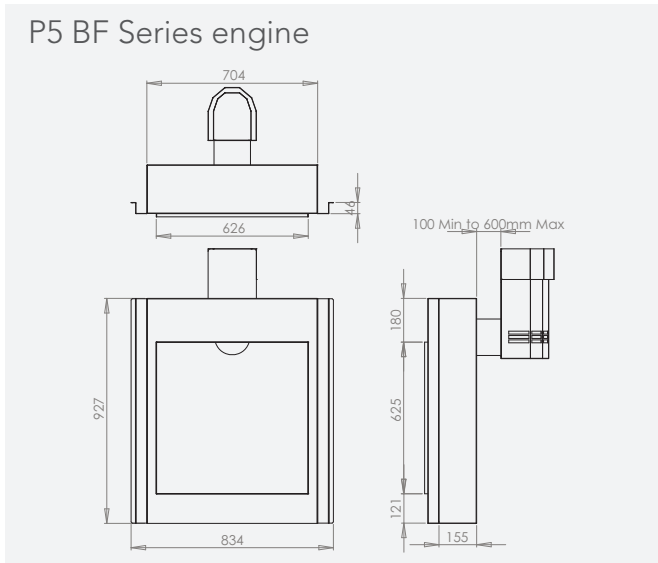
Aylesbury Surround



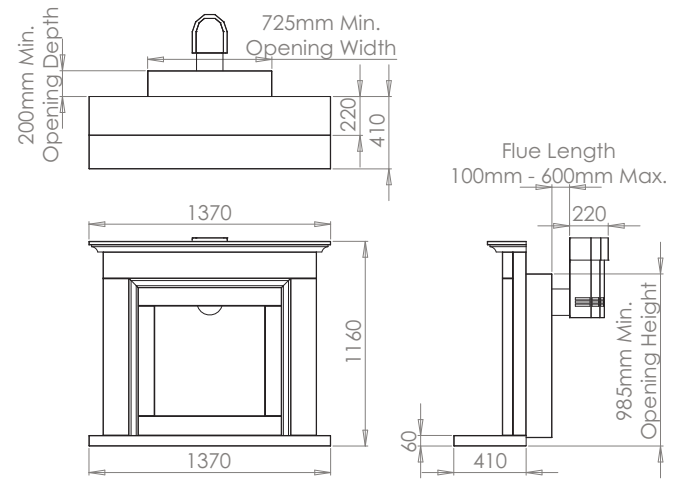
Wenlock Surround



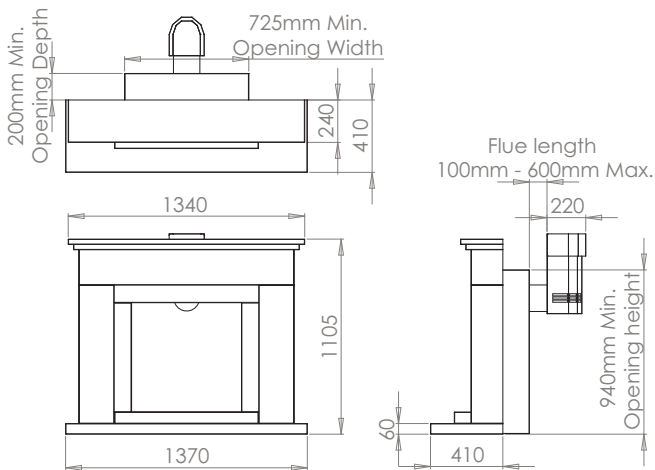
Paragon P5 BF Series



Aylesbury Surround

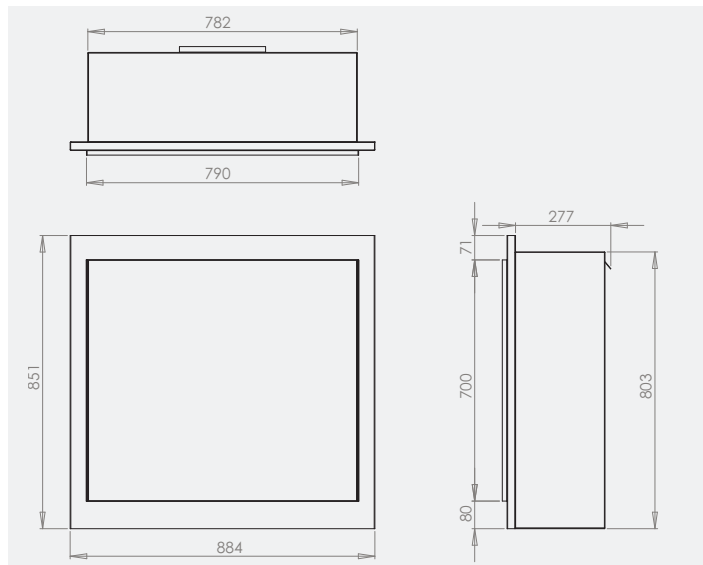


Wenlock Surround

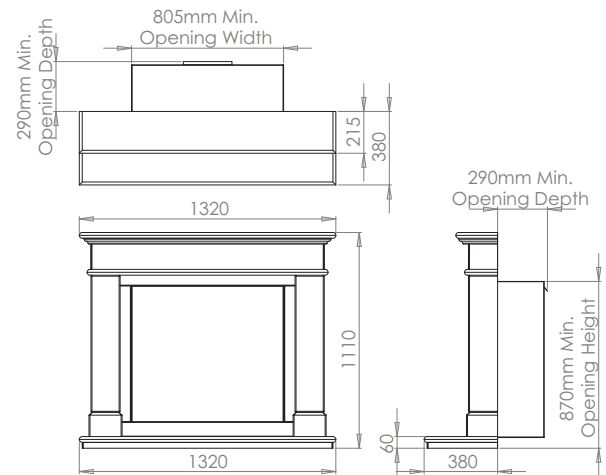


DIMENSIONS AND SPECIFICATIONS

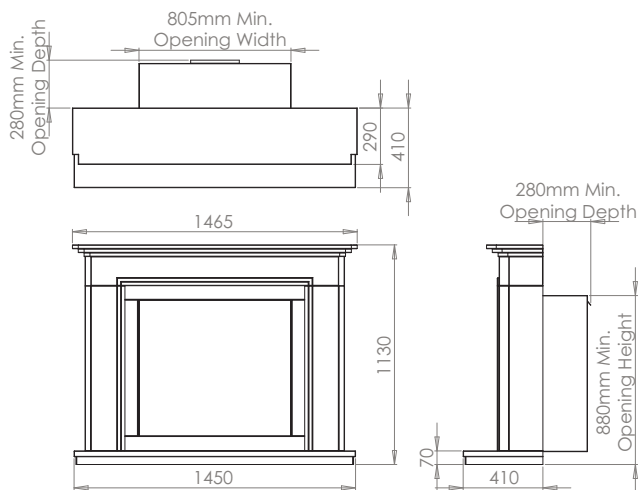
Infinity 800HD UBL CF (Under Bed Lighting)



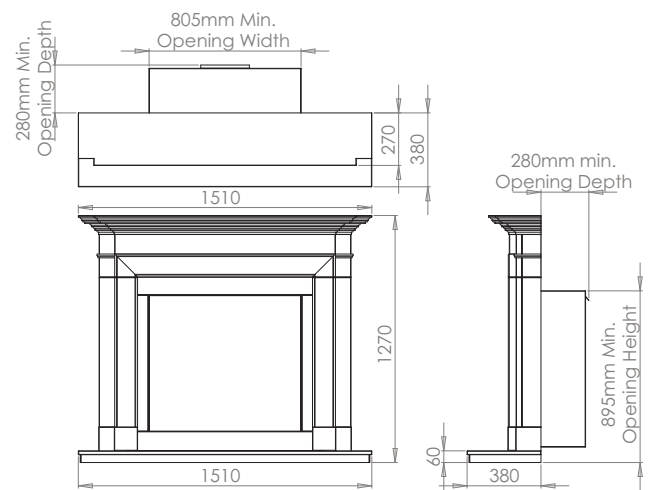
Balmoral Surround



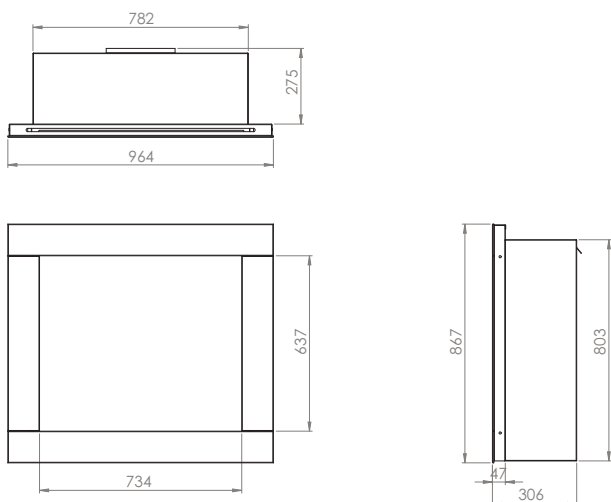
Condover Surround



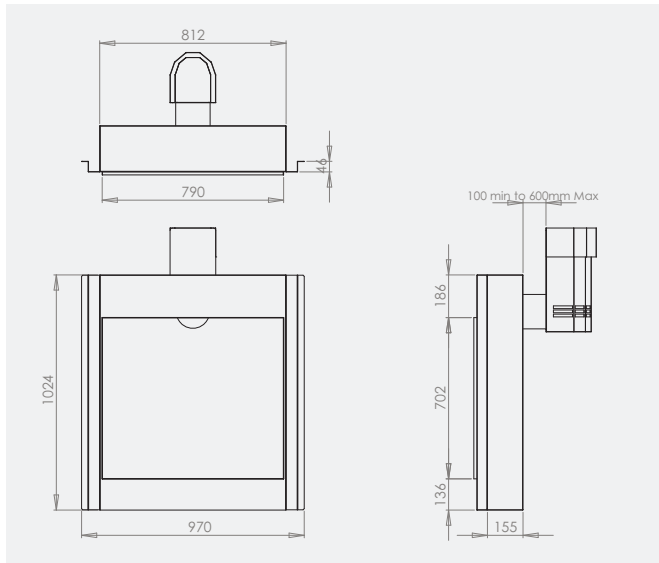
Stapleton Surround



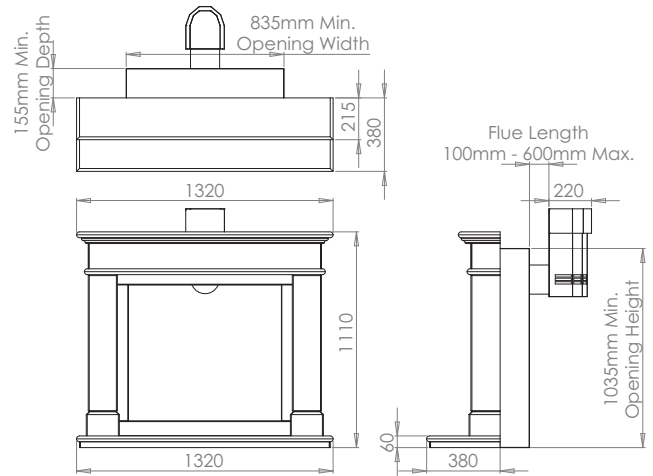
Glass Fascia



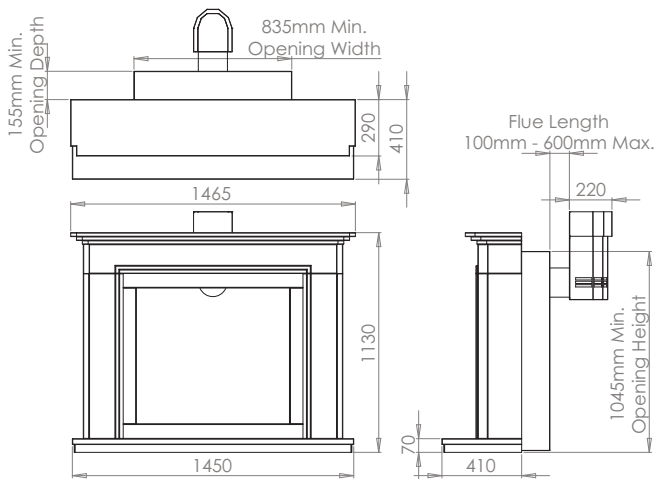
Infinity 800HD UBL BF (Under Bed Lighting)



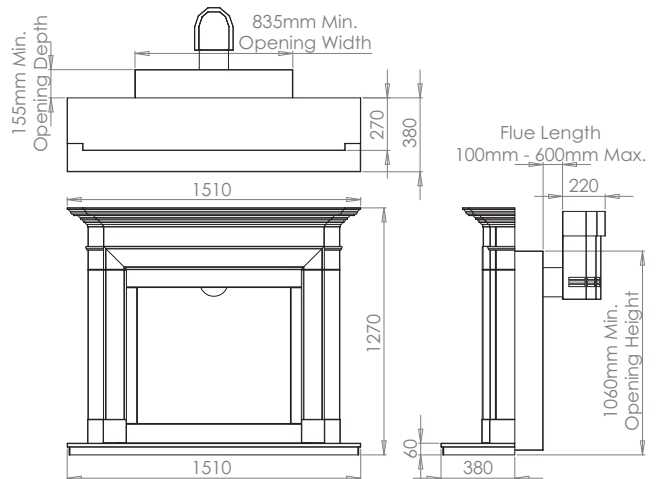
Balmoral Surround



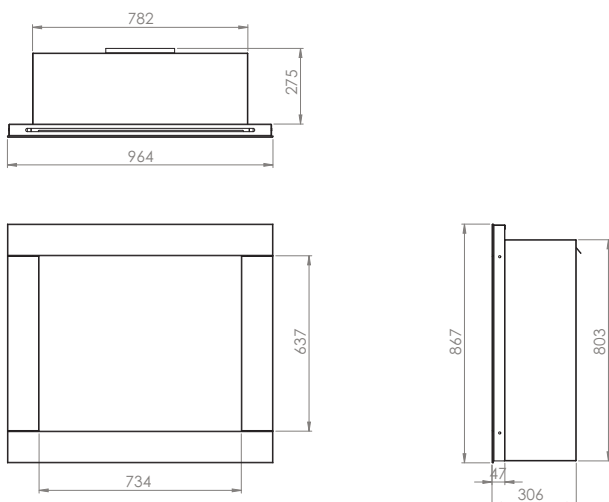
Condover Surround



Stapleton Surround

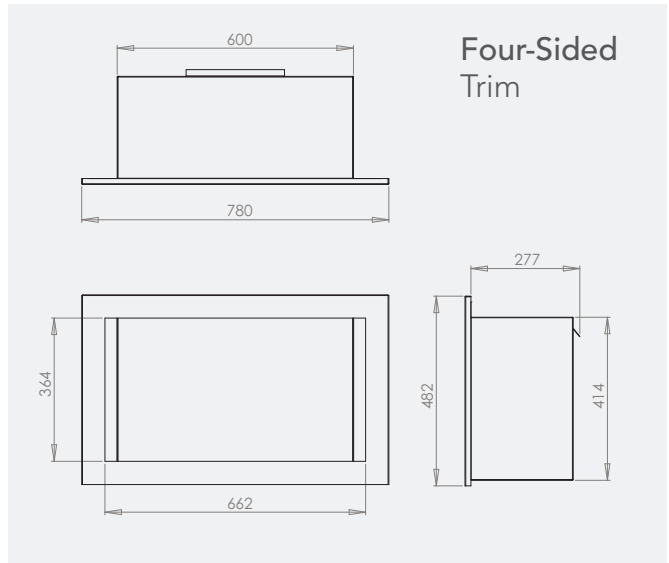
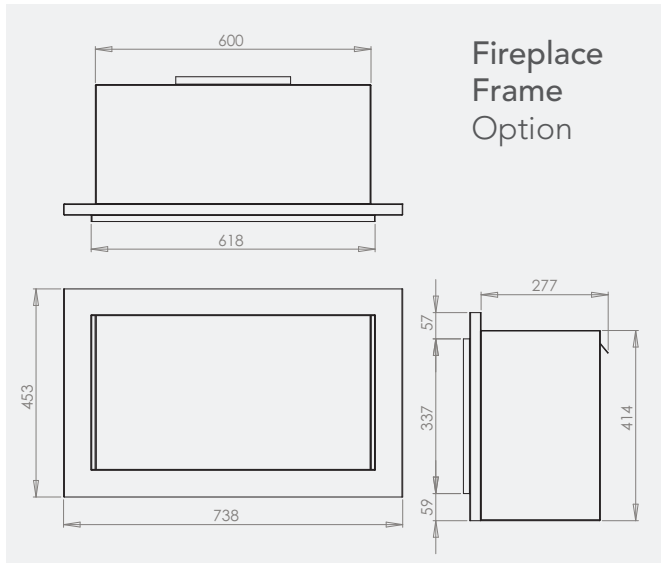


Glass Fascia

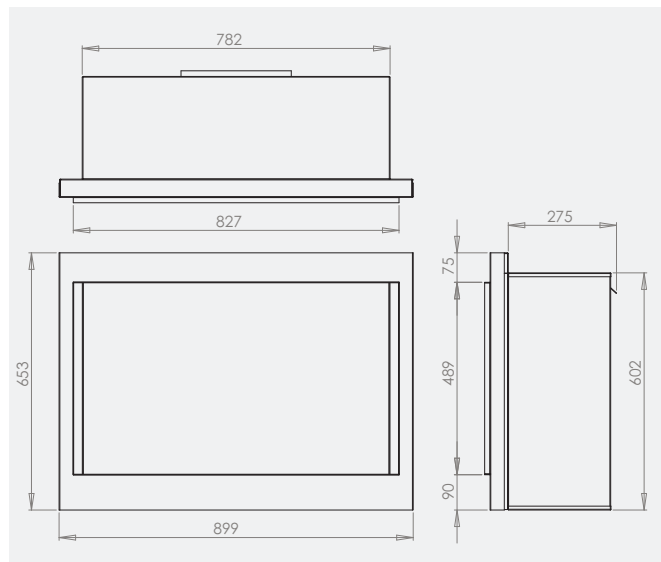


DIMENSIONS AND SPECIFICATIONS

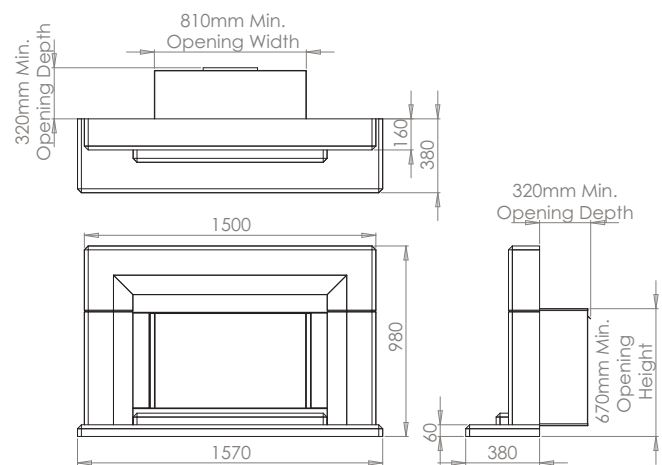
Infinity 600HD



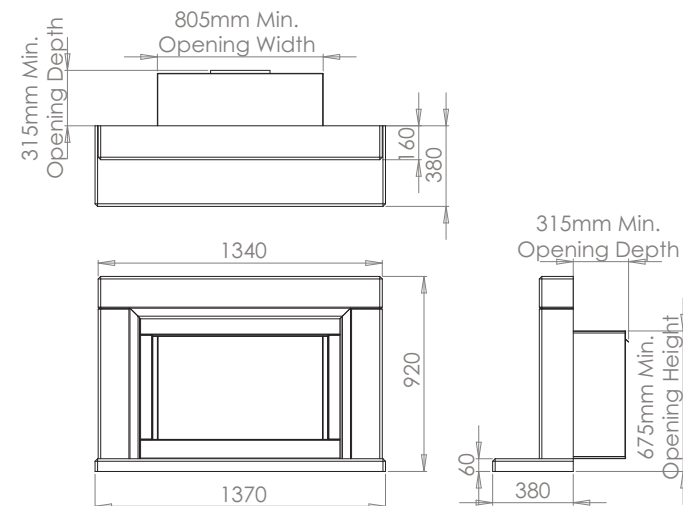
Infinity 780FL



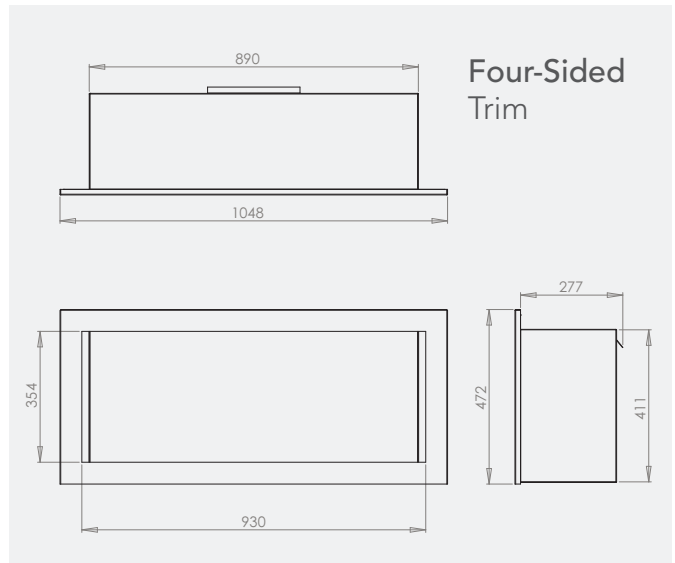
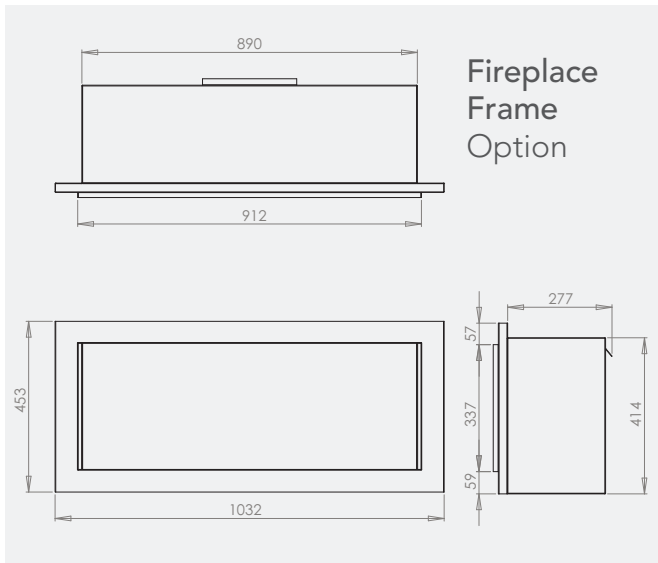
Edgemond Surround



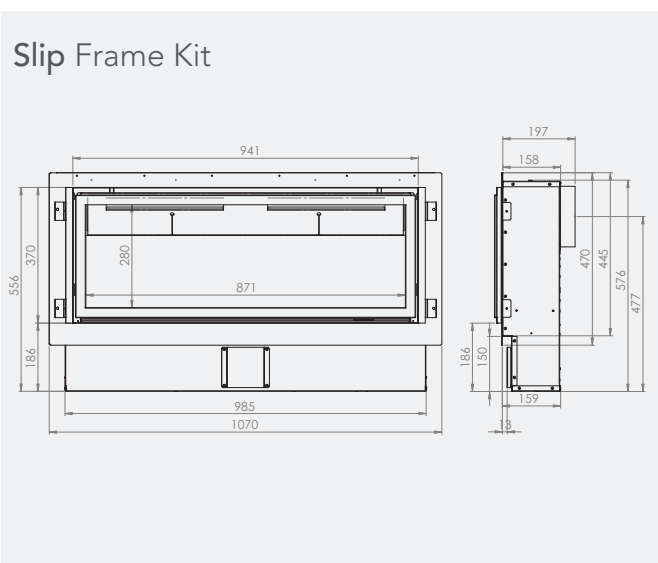
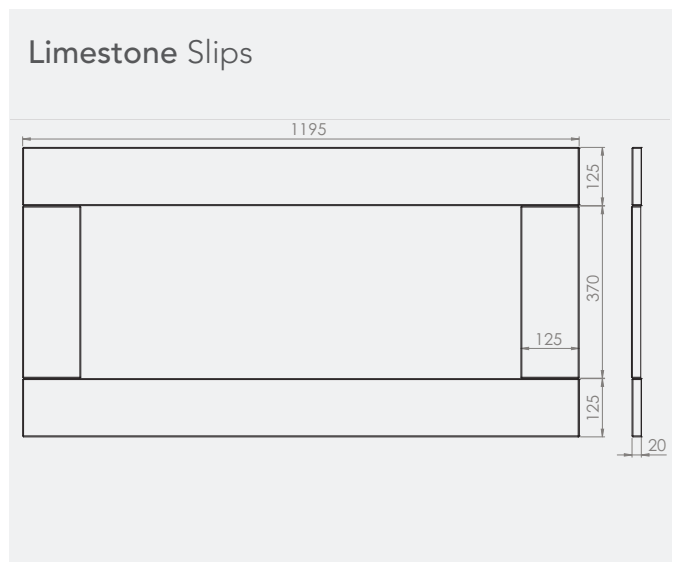
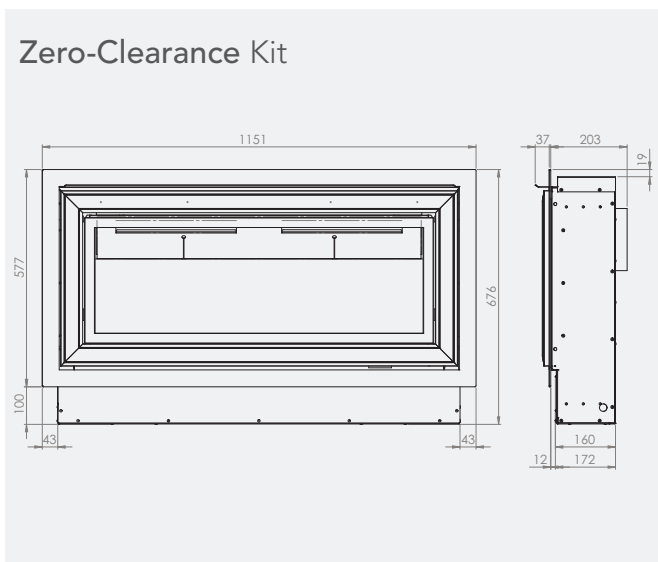
Coalport Surround



Infinity 890HD CF

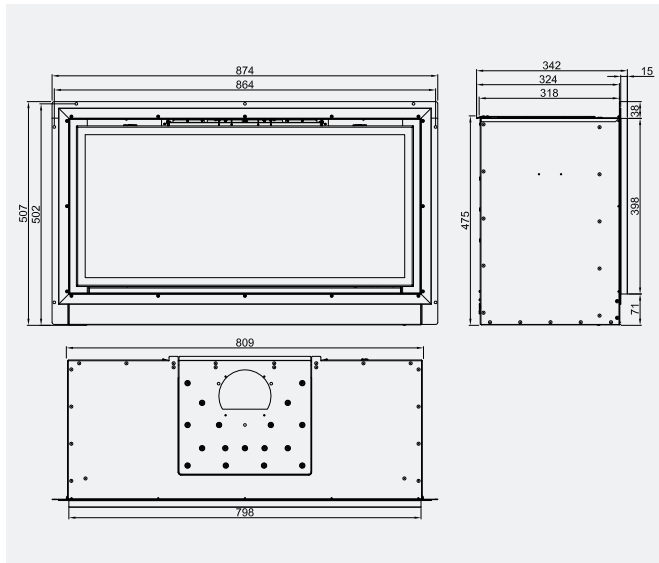


Infinity 890HD BF



DIMENSIONS AND SPECIFICATIONS

Panache 8040

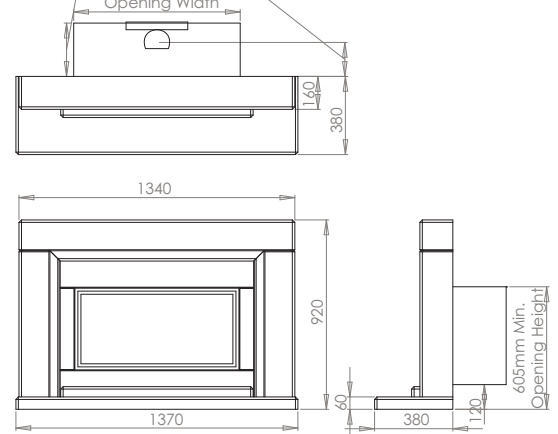


Coalport Surround

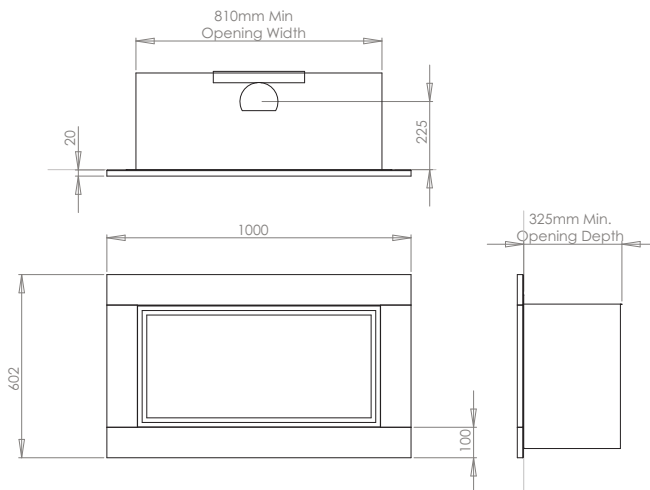
275mm with 50mm spacer
325mm Flat wall fix Fireplace

810mm Min.
Opening Width

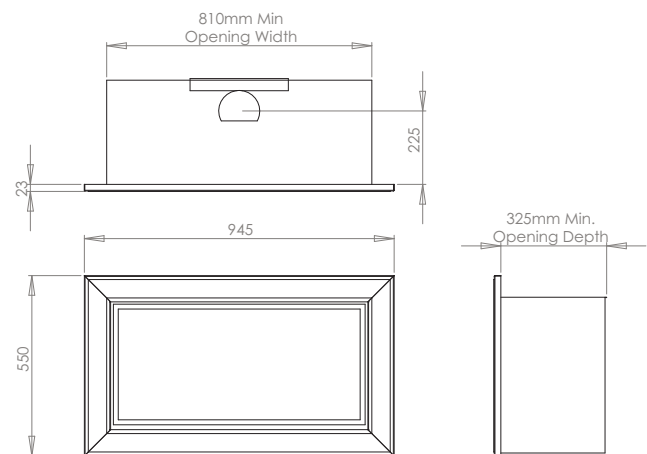
175mm with 50 mm spacer
225mm Flat wall fix Fireplace



Limestone Slips



Trim



Charlton & Jenrick Company and Product Accreditations

Charlton & Jenrick have made a very substantial investment over the years in obtaining a wide range of accreditations and trade body memberships to ensure that we are consistently offering the best possible products and services to our customers. We not only manufacture appliances but we also put in huge behind-the-scenes efforts to ensure that we input to and keep abreast of impending legislation, standards, product performance and environmental requirements. Currently we subscribe and contribute to the following accreditations:



The UKCA (UK Conformity Assessed) mark is the new UK product mark that replaces the CE mark for products being placed on the market in Great Britain (England, Wales and Scotland). It covers most products that previously required the CE mark. All our fires comply to this new mark.



SIA Ecodesign Ready marking is an independent scheme run by the Stove Industry Alliance to verify and independently demonstrate that wood burning stoves already meet the strict requirements of the 2022 EU Ecodesign Directive for performance and emissions. HETAS administer this on behalf of the SIA.



HHIC, the Heating and Hot Water Information Council is a trade body representing the UK gas fire industry. As part of the Energy and Utilities Alliance, within the HHIC we have an input into EU and UK standards committees, communicate with Government departments and keep abreast of serious issues affecting the gas fire industry.



SIA, the Stove Industry Alliance is the UK trade body for the solid fuel stove industry. C&J are members of the Executive Committee and currently chair the Technical Committee enabling input into UK and EU standards committees and lines of communication into Government departments and keeping up to date on a wide range of issues affecting the industry.



DEFRA exemption is the mechanism where our wood burning stoves are checked and certified to comply with the Clean Air Act and therefore allowed to be used in smoke control zones throughout the UK. Involving a strict test programme and independent report, this is then thoroughly assessed by DEFRA advisors before being accepted.



Gas Safe Register is the mandatory national competent persons scheme to allow work on gas fittings and appliances in customers' homes. Our service and most of the sales team have completed the regular training courses and sit the regular exams to ensure our customers have the best support and service.



ISO9001 is the internationally recognised standard for Quality Management Systems which in our case includes the activity of product design and development as well as production, sale and support functions. Annual independent audits and certification ensure continued compliance in producing consistent quality products.



ISO14001 is the internationally recognised standard for Environmental Management Systems. Once again this independently audited and certified system makes sure that we are regularly monitoring and reviewing the impact of the business and its products to ensure we minimise negative impacts and promote best practice.



ClearSkies is a certification mark for Emissions and Energy Performance of domestic wood & solid fuel stoves and fireplaces. clearSkies ratings, namely the certification levels, will show appliances that meet defined emissions and efficiency thresholds that exceed the minimum requirements set by the ecodesign regulation.



CE marking of products is mandatory for electric fires and stoves in Europe. We always invest in independent testing and certification to ensure our products meet all necessary requirements for the regions we operate in.

For expert advice and new product information, follow us on Twitter @cJfires

Please note: Our policy is one of constant development and improvement. Charlton & Jenrick therefore reserves the right to revise the specification and design of its stoves without formal notice. This leaflet is presented as a guide to aid in your decision and does not replace the need for technical assessment by your dealer. While the utmost care is taken in the preparation of this brochure, it is not intended to replace the installation manual which provides more detailed information. Photography is for illustration purposes only and does not replace the need to see the stove in a showroom. We accept no liability for any loss or damage arising either directly or indirectly from the use of this leaflet.

All designs in this brochure are design or copyright registered. Charlton & Jenrick, without exception, will take action against any infringements of its designs.



Paragon P11 shown in Aylesbury surround with Black Mirror Glass firebox liners



Infinity 600HD hole-in-the-wall fire with Black Glass Liners and Walnut Logs fuel bed shown in Graphite Trim



Infinity 800HD UBL CF with Black Mirror Glass Liners and Walnut Logs options shown in Balmoral Surround



Infinity 890HD BF with Black Mirror Glass Liners and Mixed Logs Fuel Bed shown in Zero Clearance Kit with Elite Fascia Trim



Infinity 780FL with Rustic Brick Herringbone Liners and Mixed Logs Fuel Bed shown in Edgemond Surround



Panache 8040 shown in Limestone Slips



Charlton & Jenrick^{LTD}

Charlton & Jenrick Ltd, Unit D,
Stafford Park 2, Telford, Shropshire TF3 3AR
Tel: 01952 200444
e-mail: sales@charltonandjenrick.co.uk
www.charltonandjenrick.co.uk



CONNECT WITH US:

