

# Owner's Manual

INCLUDES

User, Maintenance, Service, and Installation  
Instructions



**P4**



Keep this booklet for service log and future reference

## IMPORTANT



This appliance is guaranteed for 12 months subject to conditions. The 5 year extended parts warranty will only be valid if the annual service recommended in this manual has been completed and appliance has been registered online.

For use in Great Britain and Ireland.

Literature NO 6495 (ISS 8)

## Contents

EXTENDED FIVE YEAR PARTS WARRANTY .....	2
Benchmark Scheme .....	3
<b>Register your appliance online today to activate your warranty .....</b>	<b>4</b>
<b>SECTION ONE Introduction .....</b>	<b>5</b>
<b>USER INSTRUCTIONS .....</b>	<b>7</b>
<b>SECTION TWO Operating the Appliance.....</b>	<b>7</b>
<b>SECTION THREE Cleaning.....</b>	<b>9</b>
<b>SECTION FOUR Fuel Bed Cleaning and Layout .....</b>	<b>11</b>
<b>SECTION FIVE General Points .....</b>	<b>14</b>
<b>INSTALLATION INSTRUCTIONS.....</b>	<b>15</b>
<b>SECTION SIX Appliance Data .....</b>	<b>15</b>
<b>SECTION SIX Technical Drawing.....</b>	<b>16</b>
<b>SECTION SEVEN Regulations and Warnings .....</b>	<b>16</b>
<b>SECTION EIGHT Siting the Appliance .....</b>	<b>18</b>
<b>SECTION NINE To Install the appliance.....</b>	<b>19</b>
<b>PREPARING THE OPENING FOR FOUR SIDED TRIM.</b>	
.....	19
<b>PREPARING THE OPENING FOR INSTALLATION</b>	
<b>WITH MARBLE SLIPS (Not In Surround) .....</b>	<b>25</b>
<b>PREPARING THE OPENING FOR INSTALLATION</b>	
<b>WITH A FALSE CHIMNEY BREAST FRONT.....</b>	<b>32</b>
<b>PREPARING THE OPENING FOR 3 SIDED FASCIA ..</b>	<b>38</b>
<b>PREPARING THE OPENING FOR THE FIRE IN</b>	
<b>SURROUND OPTION .....</b>	<b>44</b>
<b>SECTION TEN Fireplace Installation .....</b>	<b>50</b>
<b>SECTION ELEVEN Checking Operation of Fire.....</b>	<b>54</b>
<b>SERVICE INSTRUCTIONS .....</b>	<b>55</b>
<b>SECTION TWELVE ANNUAL SERVICE .....</b>	<b>55</b>
<b>SECTION THIRTEEN Wiring Diagram .....</b>	<b>58</b>
<b>SECTION FOURTEEN Short Spares List.....</b>	<b>59</b>
<b>GAS FIRE COMMISSIONING CHECKLIST.....</b>	<b>62</b>
<b>SERVICE RECORD .....</b>	<b>63</b>



## EXTENDED FIVE YEAR PARTS WARRANTY

In order to validate your extended 5 years parts warranty please read the Benchmark Scheme on the opposite page and ensure your installer has filled in the appropriate checklist.

**This in no way reduces your statutory rights**

Your warranty commences from the date of purchase and you must retain your receipt or invoice as proof of a purchase date.

THIS EXTENDED WARRANTY SPECIFICALLY EXCLUDES GLASS AND SOFT REFRACTORY COMPONENTS, THE BULB AND ANY BATTERIES.

### Terms and Conditions

1. The appliance must be installed by a GAS SAFE registered person.
2. The appliance must be used in accordance with the user's instructions.
3. The appliance must be serviced annually by a GAS SAFE registered person.
4. The benchmark and service log must be correctly filled out and the record of annual services must be up to date and supported by receipts in each case.
5. This warranty is not transferable and relates to the original installation only.
6. The appliance has not been subjected to misuse or accident or been modified or repaired by any person other than the authorised employee or authorised representative of Charlton and Jenrick Ltd.
7. The registration form must be returned within 1 month of purchase.

**Technical Help Desk 01952 200 444**

## Benchmark Scheme



Charlton and Jenrick Ltd is a licensed member of the Benchmark Scheme which aims to improve the standards of installation and commissioning of domestic heating and hot water systems in the UK and to encourage regular servicing to optimise safety, efficiency and performance. Benchmark is managed and promoted by the Heating and Hot water Industry Council. For more information visit [www.centralheating.co.uk](http://www.centralheating.co.uk)

Please ensure that the installer has fully completed the Benchmark Checklist on the inside back pages of the installation instructions supplied with the product and that you have signed it to say that you have received a full and clear explanation of its operation. The installer is legally required to complete a commissioning checklist as a means of complying with the appropriate Building Regulations (England and Wales).

All installations must be notified to Local Area Building Control either directly or through a Competent Persons Scheme. A Building Regulations Compliance Certificate will then be issued to the customer who should, on receipt, write the Notification Number on the Benchmark Checklist.

This product should be serviced regularly to optimise its safety, efficiency and performance. The service engineer should complete the relevant Service Record on the Benchmark Checklist after each service.

The Benchmark Checklist will be required in the event of any warranty.

It is a requirement that the gas fire is installed and commissioned to the manufacturer's instructions and the data fields on the commissioning checklist completed in full.

To instigate the guarantee, the gas fire needs to be registered with the manufacturer within one month of the installation.

To maintain the guarantee, it is essential that the gas fire be serviced annually by a Gas Safe registered engineer. The service details should be recorded on the Benchmark Service Interval Record and left with the householder.

For full code of practice, please go to <http://www.charltonandjenrick.co.uk/hhic-code-of-practice/>

### **Important**

For future reference, we suggest you record the following details here, and keep the receipt as proof of purchase. This information may be asked for when you contact the helpdesk.

<b>MODEL:</b>	<b>PARAGON P4</b>	<b>Serial No.</b>	
---------------	-------------------	-------------------	--

This information can be found on the label attached to the packaging and on the data badge, which is located on the base of the appliance behind the control cover.

<b>Retailer Name:</b>	
<b>Address:</b>	
<b>Date Of Purchase:</b>	

### **Installer information required to register for the extended warranty**

<b>Name:</b>	
<b>Date of installation:</b>	
<b>Gas safe number:</b>	

[Register your appliance online today to activate your warranty](http://www.charltonandjenrick.co.uk/warranty)



## SECTION ONE Introduction

### **Consumer protection information**

As manufacturers and suppliers of heating products, we take every care, as far as is reasonably practicable, that these products are so designed and constructed as to meet the general safety requirement when properly used and installed. To this end, our products are thoroughly tested and examined before despatch.

**IMPORTANT NOTICE:** Any alteration that is not approved by the appliance manufacturer could invalidate the approval of the appliance, operation of the warranty and could affect your statutory rights.

### **Health and safety notice**

#### **Important**

This appliance could contain some of the materials, indicated below, that could be interpreted as being injurious to health and safety. It is the users / installers responsibility to ensure that the necessary personal protective clothing is worn when handling these materials, see below for information.

**Artificial Fuels, Mineral Wool, Insulation Material, Refractory/Ceramic Fibres, Glass Yarn** - *may be harmful if inhaled, may be irritating to skin, eyes, nose and throat.*

**When handling** *avoid inhaling and contact with skin or eyes. Use disposable gloves, facemasks and eye protection. After handling wash hands and other exposed parts. If a vacuum is used for cleaning the coals or cleaning after servicing / installation it is recommended that it be of the type fitted with a HEPA filter.*

**Disposal of refractory/ceramic materials.** To keep dust to a minimum these materials should be securely wrapped in polythene and be clearly labelled 'RCF waste'. These materials are not classified as 'hazardous waste and should be disposed of at a site licensed for the disposal of industrial waste.

## INTRODUCTION

- The Paragon P4 has been designed and tested to the requirements of EN 613 and is suitable for use in GB (Great Britain) and IE (Ireland).
- The Paragon P4 incorporates a single gas control, which selects ignition pilot, with variable setting between low and high settings and is operated via remote control. The system is powered by a battery pack; therefore no mains electrical supply is required.
- Like all appliances incorporating an aerated burner a low frequency noise may be heard, this may be more noticeable on the low setting.
- The Paragon P4 incorporates a safety device in the form of an Oxygen Depletion System, which constantly monitors the oxygen in the room and will cause the fire to switch off if the oxygen level reduces, for instance due to insufficient ventilation or a blocked flue.
- If this regularly occurs do not attempt to relight the appliance until a qualified engineer has checked it, the problem may not be due to lack of air or a defective flue.
- The pilot can be left on (standby setting) or the pilot can be extinguished and relit each time the fire is used.

The Paragon P4 is battery operated; therefore no mains electrical supply is required. Power to the appliance is provided by 6 high power alkaline 1.5V batteries (AA size) (a spare set of 6 AA batteries is supplied with the appliance).

If you hear a repeated 'bleep' sound come from the appliance this indicates the appliance battery pack is low and should be changed. If this is ignored the system will go into a lock out mode, which will not allow the appliance to be used until a new set of batteries are loaded. (See Page 6)

### **IMPORTANT INFORMATION**

- The appliance is for use on Natural Gas G20 @ 20mbar or LPG G31 @ 37 mbar.
- The chimney or flue (unless new or previously used with a gas appliance) shall be swept before installation if it has been used for solid fuel.
- Failure to install appliance correctly could lead to prosecution.

In GB (Great Britain), the appliance must be installed by a competent person i.e. GAS SAFE-registered, in accordance with the GAS SAFETY (INSTALLATION AND USE) REGULATIONS, The Building Regulations (or The Building Regulations (Scotland) or The Building Regulations (Northern Ireland)) and The Current I.E.E. Wiring Regulations, if appropriate.

In IE (Ireland), the appliance must be installed by a competent person and installed in accordance with the current edition of I.S.813 Domestic Gas Installation, the current Building Regulations and the current ETCI rules for electrical installation, if appropriate.

- The glass front of this fire acts as a dress guard, conforming to BS 1945 (1997) however; a fireguard conforming to BS6539 (1997) must be used to protect young children, the elderly or infirm.
- The appliance **MUST NOT** be used with the glass safety screen removed or if it is damaged or cracked.
- During initial firing, an odour may be evident. This is the starch binder used during the manufacture of the fibre components of the fire, and there are **no harmful** effects produced.
- During the normal operation of the fire some black staining may appear on some parts of the fuel bed. This is quite normal and adds to the appearance of the appliance. However, if excessive black staining does occur it may be due to the fuel bed being incorrectly laid. This should be checked prior to contacting a service engineer.

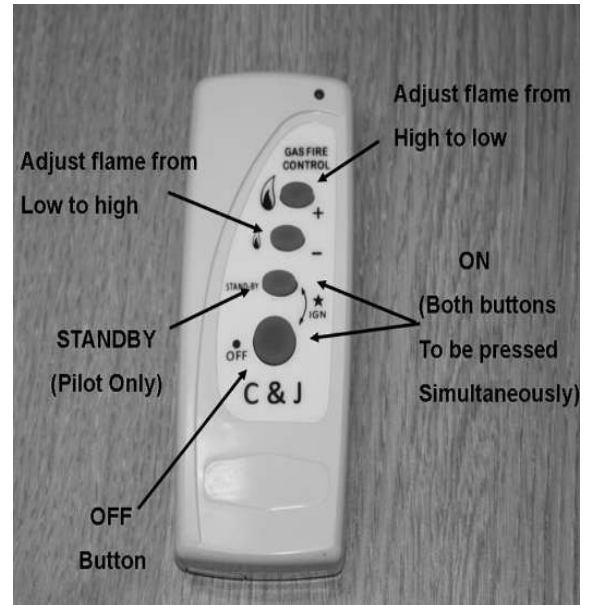
# USER INSTRUCTIONS





## SECTION TWO Operating the Appliance

Before attempting to operate the appliance check that nothing has been placed in front of the appliance that may interfere with the remote sensor operation.

To light the appliance using the remote hand set:

- A. Point the remote control hand set in the direction of the appliance and simultaneously press the buttons marked 'off' and 'standby'. Continue to hold in these two buttons until a 'bleep' is heard (approximately 2-3 sec.) and then release these buttons. The appliance will automatically go through the ignition sequence and the pilot should ignite. Once the pilot is alight the appliance will automatically go to the high setting (approximately 20-25sec). If the ignitor stops sparking and the pilot fails to light, repeat this procedure.



- B. The appliance can be adjusted up or down by pressing the appropriate button  (low setting) or  (high setting). There are 5 heat settings and the fire will give a double bleep when the maximum or minimum heat setting is reached. To switch off the appliance press the OFF  button or if the appliance is to be switch off for a short period it is recommended that the 'standby' button be used. This switches the main burner off but leaves the pilot on and will extend battery life.
- C. The appliance can be switched off without using the hand set by removing the appliance batteries located behind the ash pan cover. When the batteries are removed there will be a delay (up to 3minutes) after which double bleeps may be heard and shortly after the appliance will extinguish. Ensure that the battery is reconnected once the fire as been extinguished. The appliance cannot be operated without the use of the handset. If the fire fails to light or extinguishes for any reason, it will be necessary to re-set the fire. This can be done by pressing the off  button then following the normal lighting procedure.

**NOTE: THE REMOTE RECIEVER EYE MUST BE VISIABLE FOR THE APPLIANCE TO OPERATE CORRECTLY.**

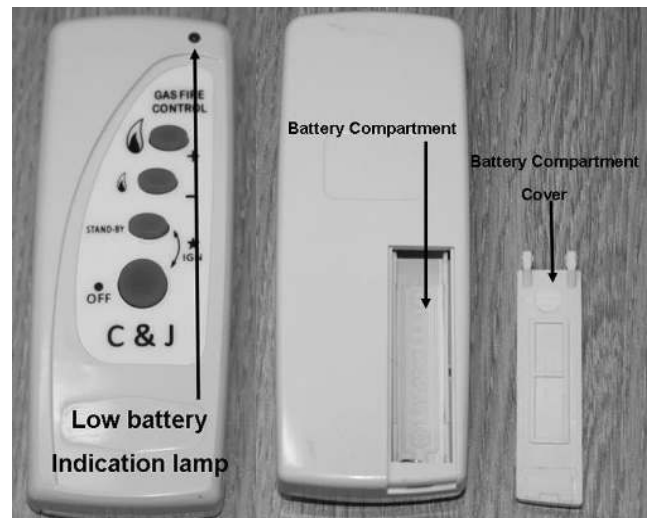
**NOTE: If the fire is extinguished for any reason wait 3 minutes before relighting.**

### **Low Battery Indication (Hand Set)**

If while pressing any of the buttons on the remote handset the low battery indicator lamp either stops flashing or appreciably slows then the battery should be changed.

### **To Replace Batteries In Hand SET (AAA 1.5 v Ir3 X2 )**

Remove the cover from the rear of the handset and fit replacement batteries, taking care not to strain the battery connections.



### **LOW BATTERY INDICATION (APPLIANCE)**

If you hear a repeated '3 bleep's coming from the appliance this indicates the appliance battery pack is low at 6.6 Volts and should be changed as soon as possible. The appliance will continue to work normally for a short period but if the warning is ignored you may experience difficulty lighting the appliance or the appliance may automatically switch off for no apparent reason.

**NOTE:** The appliance cannot be used when the battery is completely flat at 6.3 Volts as it will go into lock out mode until all six batteries have been replaced

### **TO REPLACE APPLIANCE BATTERIES (6 High Power Alkaline AA 1.5V)**

**(Rechargeable batteries can be used providing they are a nickel metal hydride type 1.5V AA with a minimum capacity of 2200mAh).**

- A. Remove the two side panels (held on by magnets)
- B. Lift out the front grill
- C. The battery holder is located at the left hand side. Carefully lift out the battery holder and replace the six high power alkaline AA batteries as a complete set, or recharge where rechargeable batteries have been used. If rechargeable batteries are used they **MUST** be a Nickel Metal Hydride type with a minimum capacity of 2200mAh

**WARNING: batteries will overheat if fitted incorrectly, when fitting the batteries ensure that they are fitted as per the marking on the rear of the holder (i.e. minus of battery against spring)**

- D. Once the new batteries are loaded the fire will continue to bleep until re-set. This can be done by pressing the "off" button on the handset followed by the normal ignition sequence as above. If the fire continues to bleep this may indicate a loose connection or badly loaded batteries.

### **BATTERY LOCATION on 4 Sided Trim.**

The battery pack is located within the insulation blanket placed on the left hand side of the appliance as far forward as possible.



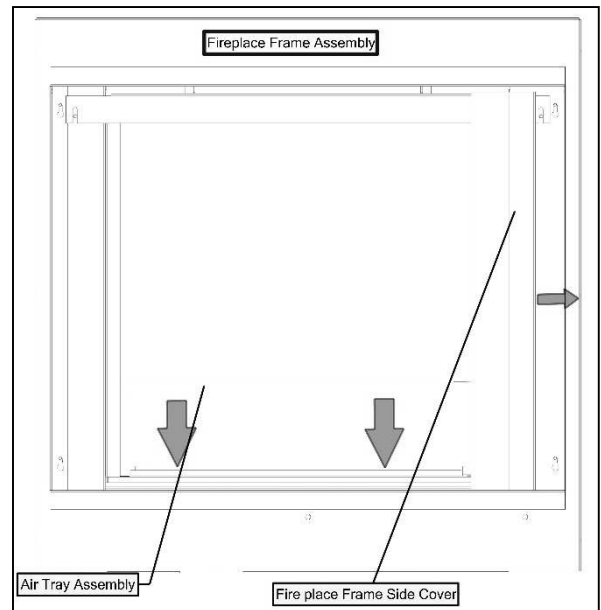
## SECTION THREE Cleaning

### Warning: -

Before you clean any part of the appliance ensure that the appliance is turned off and cold.

### **CLEANING: PILOT ASSEMBLY (With Fireplace frame fitted)**

This can only be performed by a qualified engineer due to the amount of disassembly required.

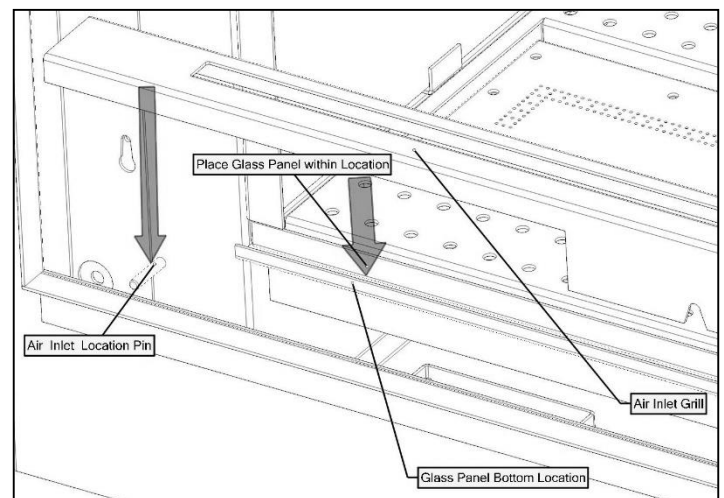


### **CLEANING: PILOT ASSEMBLY (With Four sided Trim and 3 Sided Fascia Fitted)**

(Before cleaning ensure that the appliance is turned off and cold)

The pilot is located on the right hand side of the appliance, any debris in or around the aeration hole should be removed using the nozzle of a vacuum cleaner. It is advisable not to blow the debris into the hole as this may cause more of a restriction and not rectify the problem.

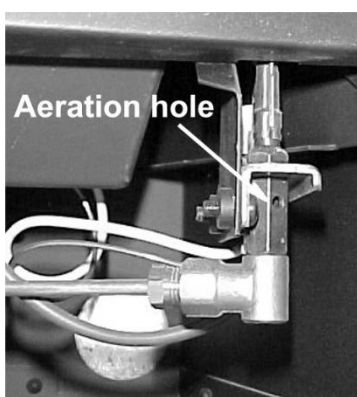
Note: - Take care when cleaning in this area so as not to damage the pilot assembly.



In some instances you may experience ignition problems even when the appliance is new. This may be due to the aeration hole in the pilot body being partial blocked with dust, pet hairs, or other foreign matter. The source of this debris could be such things as carpet fibres, decorating debris or pet etc.

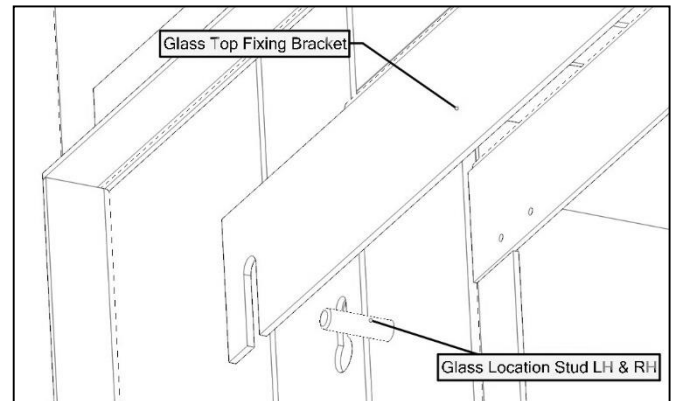
To gain access to the pilot.

- Lift the four sided trim away from the firebox which is held on using four magnets.
- Undo the two M4 nuts retaining the glass fixing bracket using the tool provided then pull clear and from the location studs.
- Carefully lift the glass panel from within the bottom location slot.
- Remove the log fuel bed shapes and bark shapes.
- Lift out the air tray assembly from the location points within the shelf.



## **REMOVING GLASS PANEL**

- Remove the two side covers LH and RH which are held on with magnets.
- Undo the two M4 nuts retaining the glass fixing bracket using the tool provided then pull clear from location studs.
- Carefully lift the glass panel from within the bottom location slot.



## **GLASS CLEANING**

From time to time it will be necessary to clean the glass panel of your P4. We recommend you use a Ceramic hob cleaner these are available for all leading super markets: - i.e. **ASDA, TESCO, SAINSBURY'S** Etc.

Brands of hob cleaner we have tested and found suitable are - **HOB BRITE & VITRO CLEAN.**

- Ensure the fire has been turned OFF for at least four hours to ensure it is cool.
- Remove the glass panel as described below.
- Lay the glass panel down on a flat working surface on top of an old opened newspaper with the side to be cleaned uppermost.
- Follow the instructions on the Hob Cleaner Bottle.
- On stubborn stains (where the appliance has been used for a long period without glass panel being cleaned), use a new Brillo Pad well wetted with the Hob cleaner applied directly to it.
- Ensure all the residues of the cleaner are removed with a damp cloth and the glass panel is completely dry before fitting to the appliance.

**Important: - The appliance must not be used if the glass panel is missing or damaged.**

**Note: - The glass may discolour quickly when first installed, and it should be cleaned. This is due to the burning off process of the refractory fuel bed shapes.**

## SECTION FOUR Fuel Bed Cleaning and Layout

- Before you clean any part of the appliance ensure that the appliance is turned off and cold.
- Use only the fuel bed components provided and no additional parts must be added.
- Incorrect positioning of the fuel bed components could result in the staining of the glass panel.

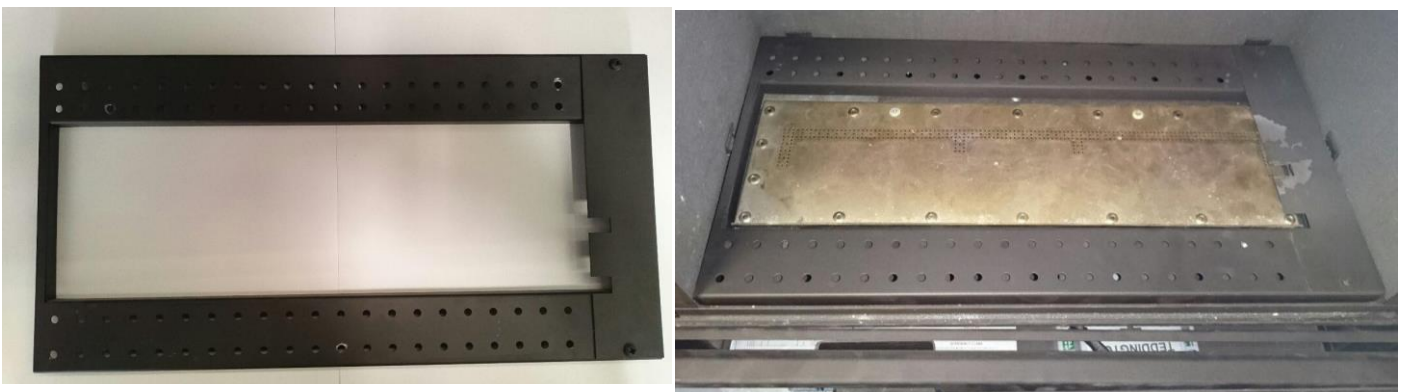
**Important: - Refer to the Health & Safety Notice located on page 5 of this booklet before cleaning or replacing any refractory material.**

- The fuel bed components are delicate and they should be handled with great care.
- The moulded shapes may be removed for cleaning. They can be brushed very gently with a soft brush to remove dust or any deposits.
- A vacuum cleaner may only be used after the loose components and moulded shapes have been removed.

CARE SHOULD BE TAKEN TO AVOID CONTACT WITH THE REFRACTORY LINING THIS IS A DELICATE SURFACE AND SHOULD **NOT** BE WIPED OR RUBBED.

It is important that all the fuel bed moulded shapes are positioned as shown in these instructions.

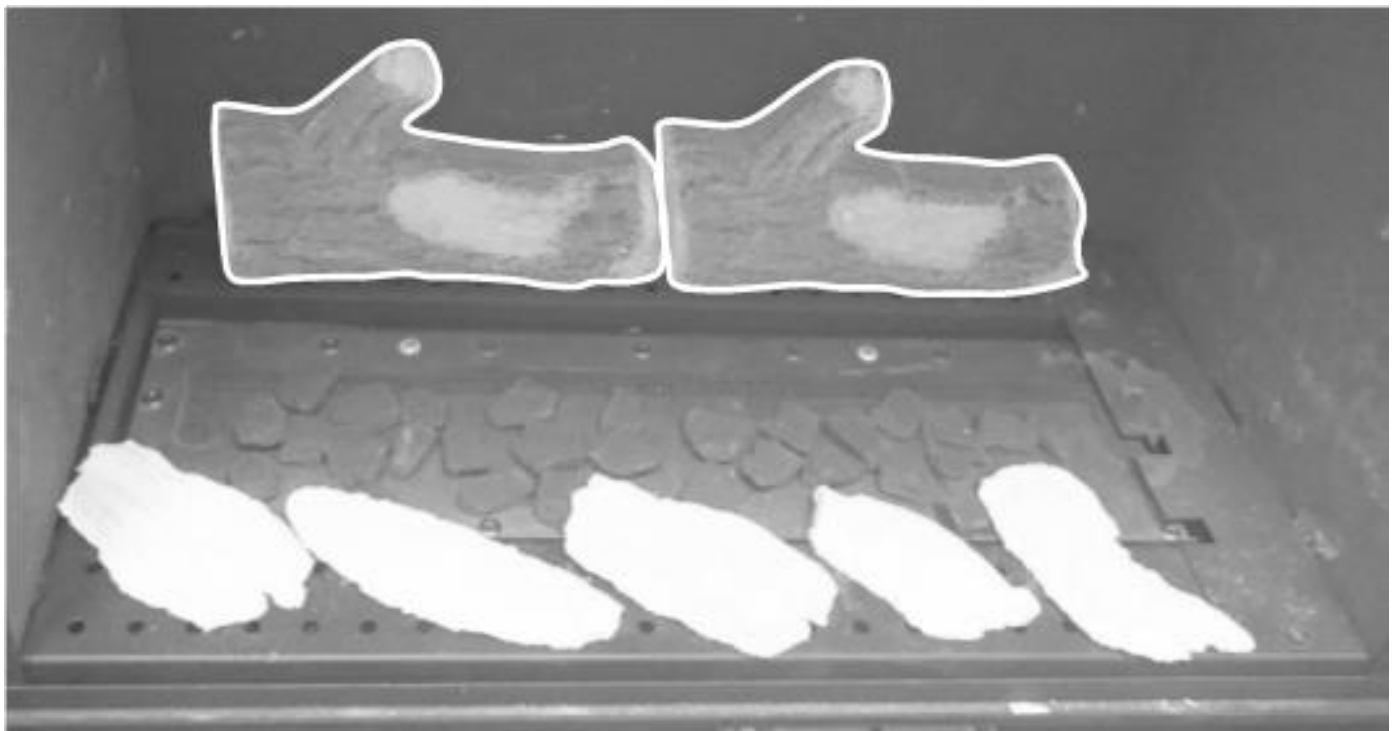
### Fuel Bed Layout



- Place air tray with in burner shelf assembly ensure pilot shield is to the right over the oxy pilot



- Cover the burner plate with a thin layer of black bark chippings and place a row of bark chippings along the front edge of the air tray.



- Place the two log shapes as shown



- Place the two log shapes as shown.



- Place the side log shape as shown (making sure flat side of the log is against the side of the firebox.)



- Place the Y shaped log shape as shown.



- Place the last 2 log shapes as shown.

## [SECTION FIVE General Points](#)

Like all appliances incorporating an aerated burner a low frequency noise may be heard, particularly on the low setting, this is quite normal and does not affect the operation of the appliance.

It is advised that a competent person service the P4 fire annually. The fire is more likely to provide trouble-free operation.

Dulling and slight discoloration inside the firebox will occur adding to the realism of the appliance. This is normal.

# INSTALLATION INSTRUCTIONS

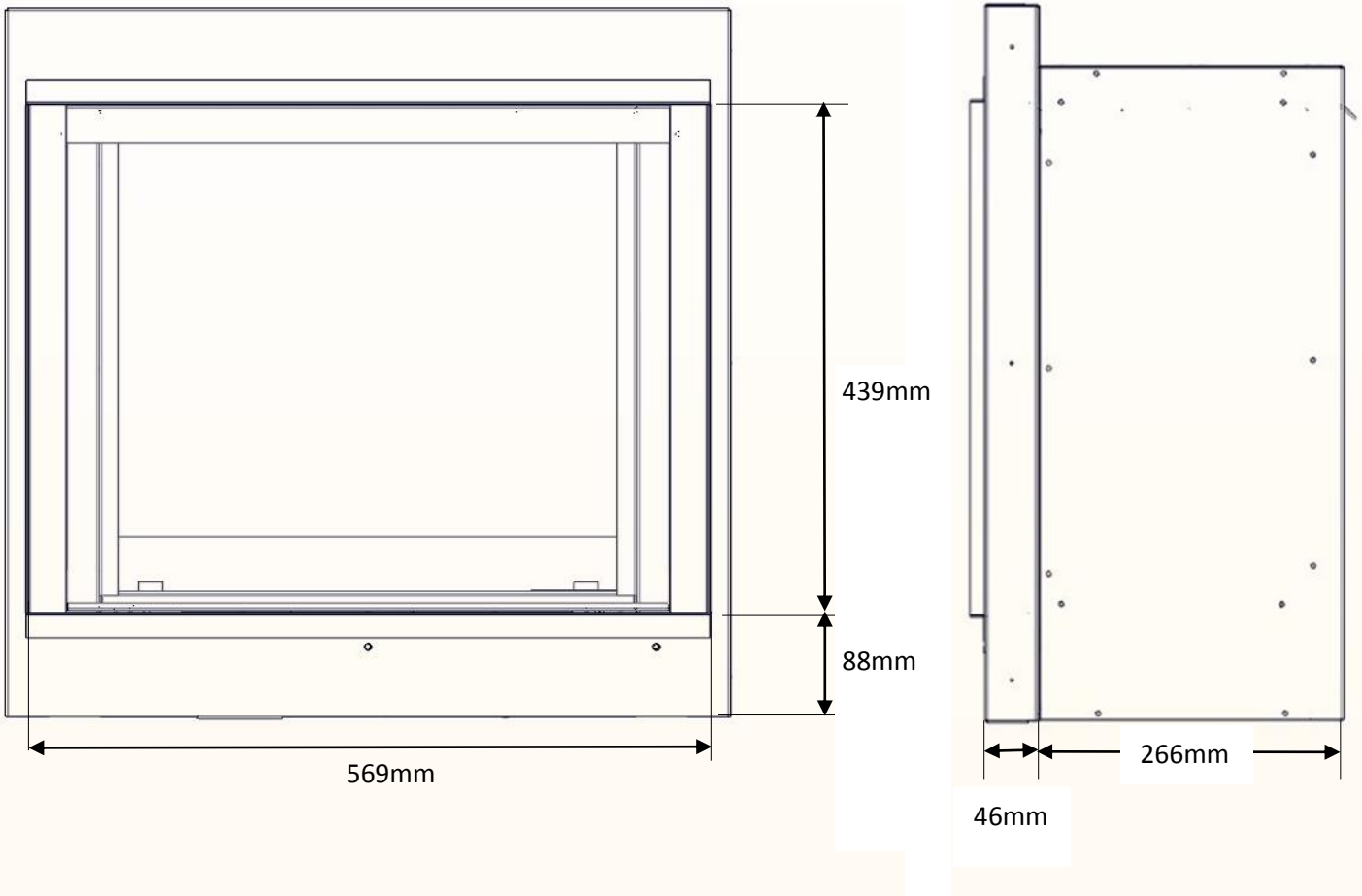
## SECTION SIX Appliance Data

	<b>NATURAL GAS</b>	<b>PROPANE GAS</b>
Gas Type:.....	CATEGORY I 2 H	CATEGORY 1 3 P
Gas Pressure:.....	20 mbar +/- 1.0mbar	37 mbar +/- 1.0mbar
Pressure Test Point Location:.....	Gas inlet elbow	
Gas Input:.....	5.5 kW Gross (Max.) 2.4 kW Gross (Min.)	5.0kW Gross (Max.) 2.4kW Gross (Max.)
Injectors:.....	Mk 360	Mk 116
Oxy pilot:.....	ETA 2900	9264 L.P.G.
NOx Classification .....	5	
Gas Connection:.....	8mm compression: semi-rigid or rigid	
Data Badge Location:....	Located on the base of the appliance on the R/H side beneath the grill.	
Battery.....	Remote handset 2 x AAA high power alkaline Appliance 6 x 1.5V AA high power alkaline.	

NOTE: The efficiency of this appliance has been measured as specified in BS7977-1 2009 +A1:2013 and the result is 73.67 %. The gross calorific value of the fuel has been used for this efficiency calculation. Gastec have certified the test data from which it has been calculated. The efficiency value may be used in the UK Government's Standard Assessment Procedure (SAP) for energy rating of dwellings. Please note: Within the appliance packaging will be a outlet restrictor, this is there to achieve the maximum efficiency. This, however, may not be fitted due to the flue underperforming.

## SECTION SIX Technical Drawing

### Appliance Dimension



The visible size of appliance once installed within a fireplace, hole-in-the-wall or with a marble slip set.



## SECTION SEVEN Regulations and Warnings

This appliance must only be installed in Great Britain or Ireland.

- The appliance is suitable for use on natural gas only.
- **GB (Great Britain)** This fire does not normally require purpose built ventilation.
- **IE (Ireland)** Permanent ventilation must comply with the current edition of IS813.
- **In GB, (Great Britain)**

It is the law that all gas appliances must be installed by a competent person; i.e. a GAS SAFE registered installer, in accordance with the Current Gas Safety (Installation And Use) Regulations (as amended), all relevant parts of the local and national building regulations and all relevant recommendations of the following British Standards. Failure to do so could lead to prosecution.

The following are relevant codes of practice and British Standards: -

B.S. 5871

B.S. 5440 PART 1 & PART 2

B.S. 6891

This appliance must be installed to current versions of the above standards and include any relevant amendments to:-

The Building Regulations Issued By The Department Of The Environment.

The Building Standards (Scotland) (Consolidated) Regulations Issued By The Scottish Development Office.

- **IN IE, (Ireland)**

The appliance must be installed by a competent person and installed in accordance with the current edition of I.S.813 Domestic Gas Installation, the current building regulations, and the current ETCI rules for electrical installation, if appropriate.

- Prior to the installation ensure that the local distribution conditions (identification of type of gas and pressure) and adjustment of the appliance are compatible. (G20@20mbar & G31@37mbar)

### WARNINGS

- The glass front of the fire act as a dress guard, conforming to BS 1945 (1971) and satisfies the heating appliance regulations (1991) However, a guard conforming to BS6539 (1984) must be used to protect young children, the elderly or infirm.
- **This appliance incorporates a safety device in the form of an Oxygen depletion system. IT MUST NOT BE ADJUSTED OR PUT OUT OF OPERATION! THIS IS A NON-SERVICABLE ITEM AND MUST BE EXCHANGED AS A COMPLETE ASSEMBLY; USING ONLY THE ORIGINAL MANUFACTURER'S PART.**
- A suitable proprietary fire surround with a 150°C minimum rating is required.
- During initial firing, an odour may be evident. This is the starch binder used during the manufacture of the fibre components of the fire, and there are **no harmful** effects produced.
- Care must be taken to prevent any damage being caused to surrounding soft furnishing or decoration: e.g. many embossed vinyl wall coverings may become discoloured if placed too close to the appliance

## SECTION EIGHT Siting the Appliance

- **CLASS ONE**

That is a conventional brick or stone chimney as used for a solid fuel appliance with an effective cross-sectional dimension of 225 x 225 mm (9" x 9") or a lined flue with a minimum diameter of 125mm (5"). The chimney must have a minimum effective height of at least 3 metres. Any permanent flue restriction or variable dampers are to be removed or locked fully open. The chimney should be swept prior to installation if it has previously been used with solid fuel. This is not necessary if the flue has previously been used with a gas appliance or if it is a new installation.

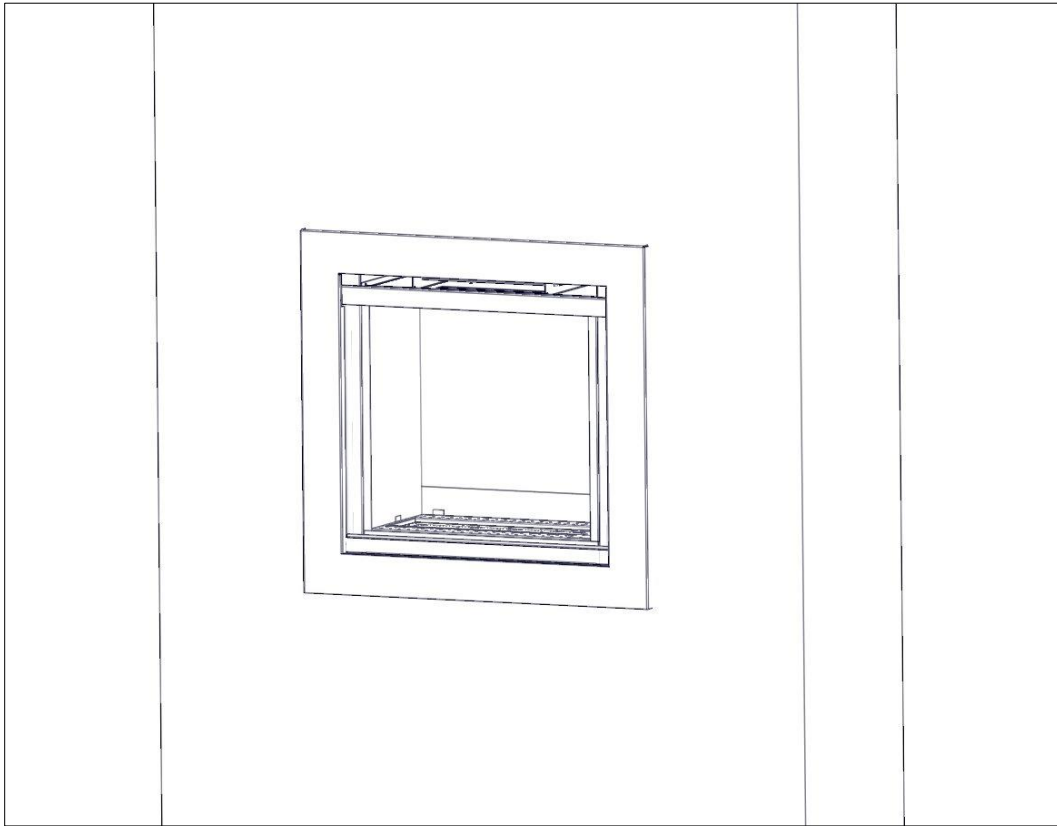
**Note:** A brick or stone chimney with a 125 mm (5 ins) minimum diameter flue liner conforming to BS 715 may be used. Provided a suitable sealing plate is fitted to the base of the liner and the appliance does not restrict the opening into the liner. Ensure a smooth lead into the flue way and no combustible materials are used. A void of 50mm must be maintained from the top of the firebox to gather into flue. The appliance can also be installed using a flue gather that enables a direct connection to the appliance Part No A-0293

### **CHECKING THE FLUE AND FIRE OPENING**

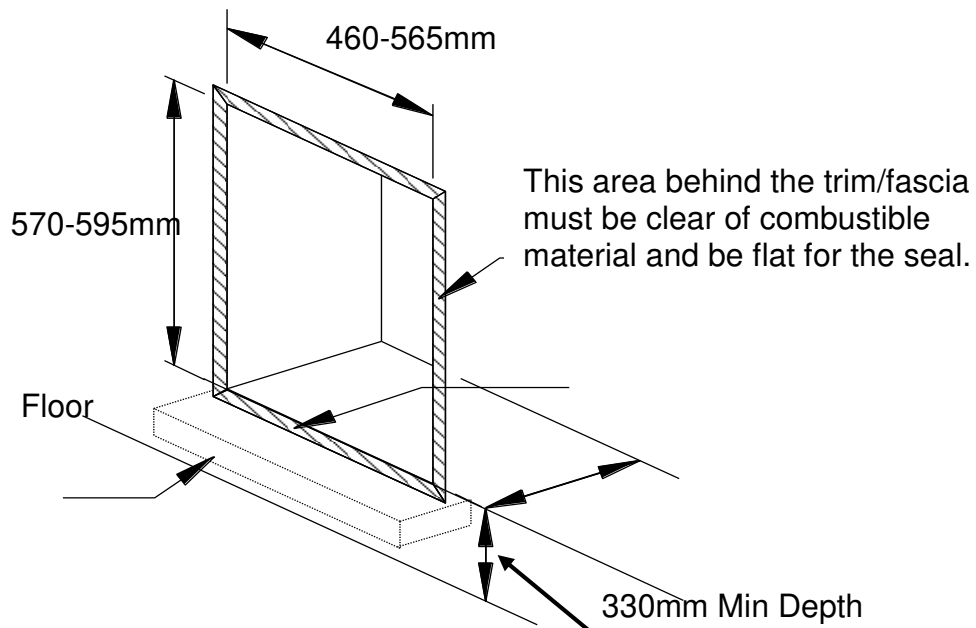
- Check that the chimney conforms to the required specifications as previously stated. Examine the condition and carry out any remedial work including removing any debris from the base.
- If the flue has been used for solid fuel it should be swept prior to the installation
- Prior to installing the appliance a smoke test (using a smoke bomb) should be carried out to check that satisfactory smoke clearance has been established.
- If all the smoke is not drawn into the flue, pre-heat the flue with a blowtorch or similar and re-check. If there is any uncertainty examine for the cause and, if necessary, seek expert advice.
- When installing this appliance against a dry lined (plasterboard) wall ensure that any void between the plasterboard and the wall is sealed with a suitable non-combustible material (i.e. plaster or mortar).
- The firebox should be supported on a flat level base that extends into the fire opening with no voids beneath.
- The maximum height that the fire can be installed at is determined by the height of present fireplace lintel.
- **No combustible material should be fitted inside the fireplace opening.**

## SECTION NINE To Install the appliance

### PREPARING THE OPENING FOR FOUR SIDED TRIM.



Opening size requirements



**Please note that a min of 50mm from floor or hearth is required when fitting with the 4-sided trim option. There is an air gap cut out in the bottom of the trim that must not be restricted**

The overall trim size is 628mm high x 652mm wide.

The front face and the base of the fire opening must be flat to ensure that a good seal is formed between the rear and base of the appliance and the chimney to avoid any reduction of natural draught. The firebox should be supported on a solid level base that extends into the fire opening. No voids should be left under the firebox.

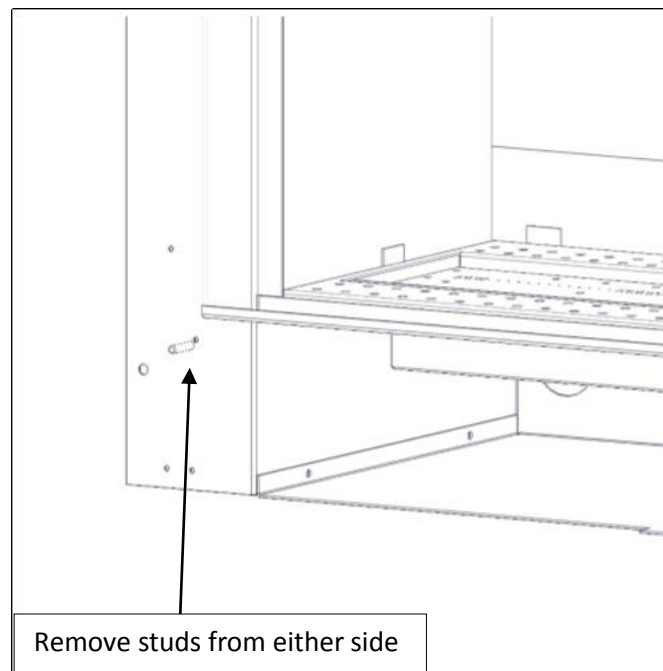
The maximum height will be determined by the existing lintel unless additional building work is undertaken.

### **GAS SUPPLY ROUTING**

Use rigid or semi – rigid tube to connect the supply. Determine the gas supply pipe route to the appliance before installing the fire. The gas entry position is to the left hand side of the firebox from the rear.

### **PREPARING THE FIRE FOR INSTALLATION**

- **Remove the two M4x20 studs from the lower part of the LH and RH flange**

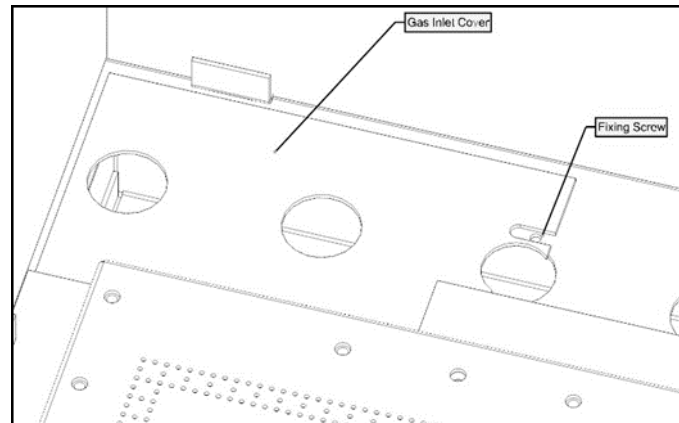


- Undo the 2 flange nuts securing the glass clamp from the top of the firebox and remove.
- Fit silicon sealing strip to rear edge of the fire box flange

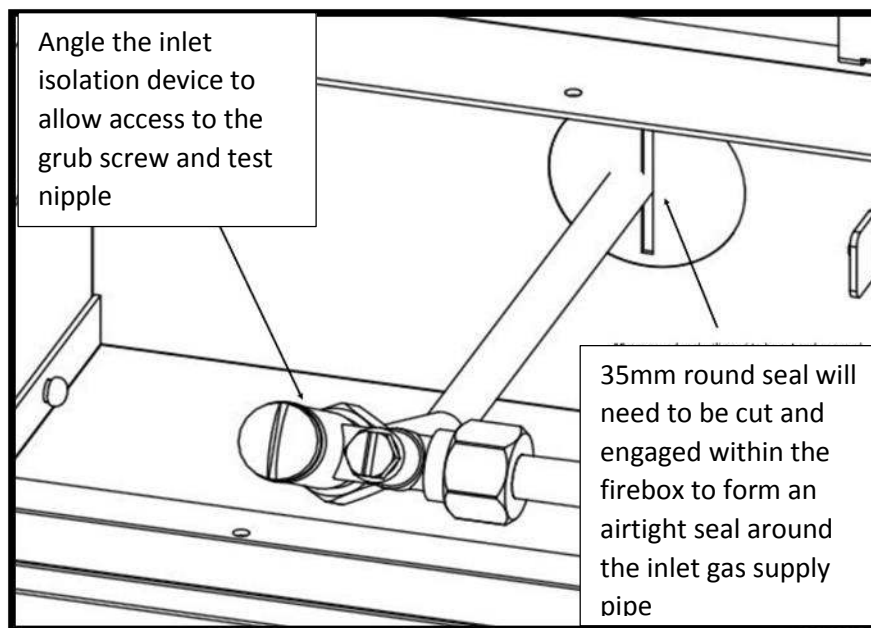
### **INSTALLING THE APPLIANCE**

- Locate the rubber grommet located within the bag of fittings. The grommet needs to be pierced to allow the 8mm gas pipe to pass through.
- Slide the firebox into the fireplace open guiding the gas supply pipe through the hole at the rear LH bottom of the firebox.
- Retain the Firebox using wall plugs and screw using the four holes within the firebox flange.

- Remove the gas connection cover located within the burner shelf left hand side.



- Refit the grommet over the pipe and seal around the inlet hole.
- **Thoroughly purge the gas supply pipework to remove any foreign matter to prevent serious damage to the gas control valve.**
- Connect to the restrictor elbow provided.



**Note:** - The isolation valve must be fitted at an angle to allow access to the restrictor plug and gas pressure test nipple.

### CHECKING GAS SOUNDNESS AND RUNNING PRESSURE.

**\*Batteries must be connected before proceeding with any soundness testing\***

- The restrictor elbow needs to be set fully open, remove cap and fully open grub screw, replace cap.
- Turn on the gas supply to the appliance and check for soundness in accordance with current codes of practice.
- Turn off the gas supply at the external Isolation valve.
- Remove the pressure test point screw from the inlet elbow and connect the pressure gauge.
- Turn on the gas to the appliance at the Isolation valve.
- Light the appliance as described in section 2.
- Check the inlet pressure is 20mbar. +/- 1 Natural Gas, 37mbar +/- 1 L.P.G.

- Turn off gas supply, at the isolation valve. Disconnect the pressure gauge and replace the pressure test point screw.
- Turn on the supply to the appliance and check the pressure test point for soundness with detection fluid.
- Refit the gas connection cover.
- Fit the air tray within the location with the burner shelf.



- Place air tray with in burner shelf assembly ensure pilot shield is to the right over the oxy pilot

## LAY FUEL BED

### Important: -

Refer to the Health & Safety Notice located on page 3 of this booklet before laying or replacing any refractory material.

Lay fuel bed as described under Users Section four.

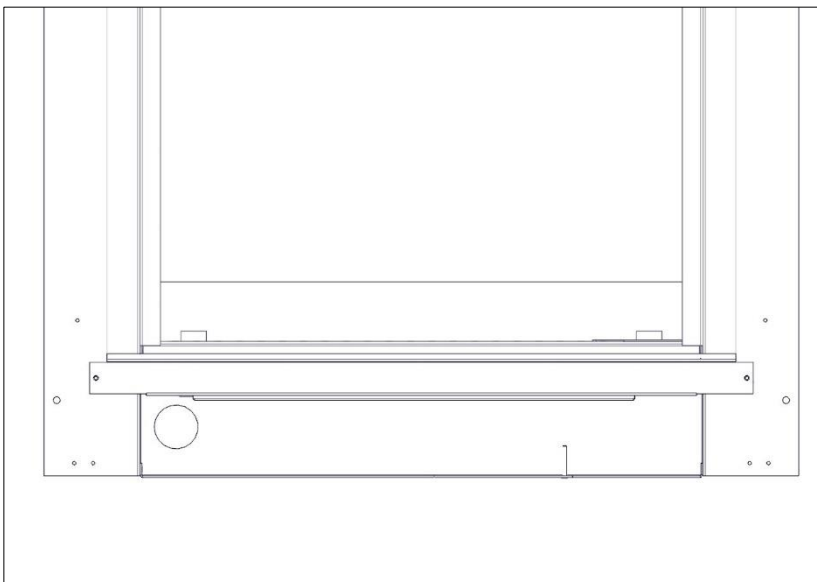
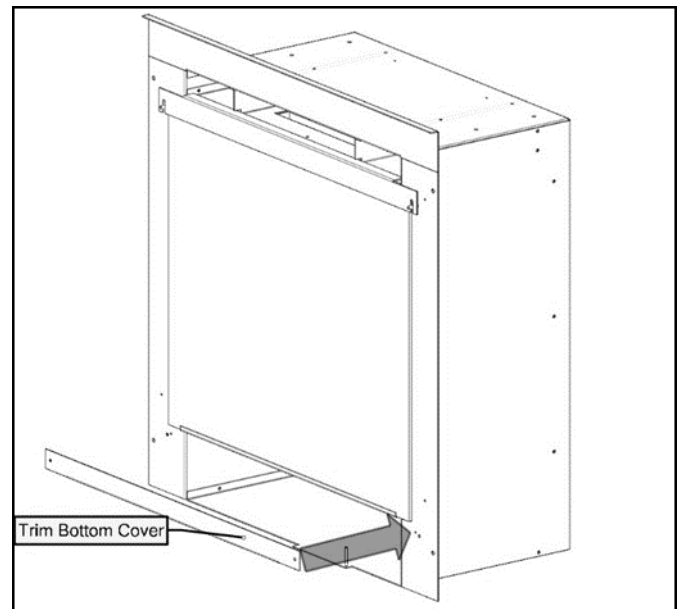
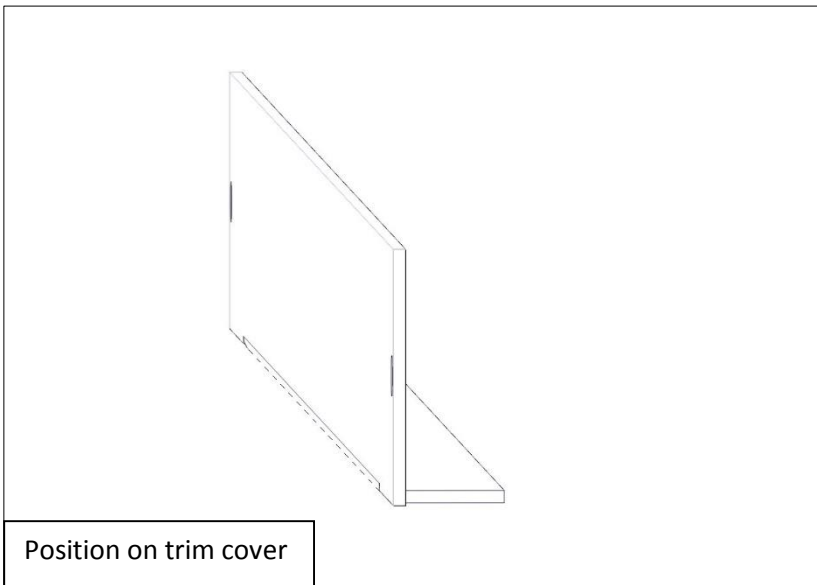
### Warning:

It is important that the fuel bed components are positioned as shown in these instructions.

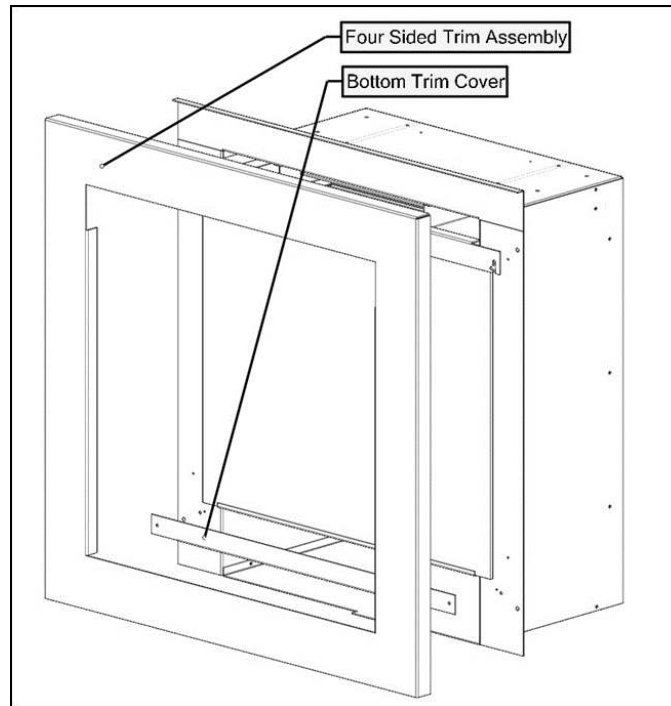
If the fuel bed components are not positioned correctly this may result in damage to the glass and a poor flame picture will result.

## FITTING THE GLASS

- Place the glass panel within the location bracket within the firebox shelf assembly.
- Retain the glass panel by using the glass fixing bracket and nuts provided. **DO NOT OVER TIGHTEN**
- Connect the battery pack as described in section one with the insulation sleeve provided. Place on the firebox base along the front edge on the left hand side.
- Position the loose magnets against the inner return of the four sided trim assembly.
- Fit the bottom trim cover below the glass location bracket and secure with 2 screws provided.



- Locate the remote receiver eye within the self adhesive clip located on the bottom edge of the trim making sure the complete curved face is facing forward and is projecting clear of the bottom trim edge.
- Offer the trim up against the firebox, with the top return of the trim resting upon the top of the fire box flange.

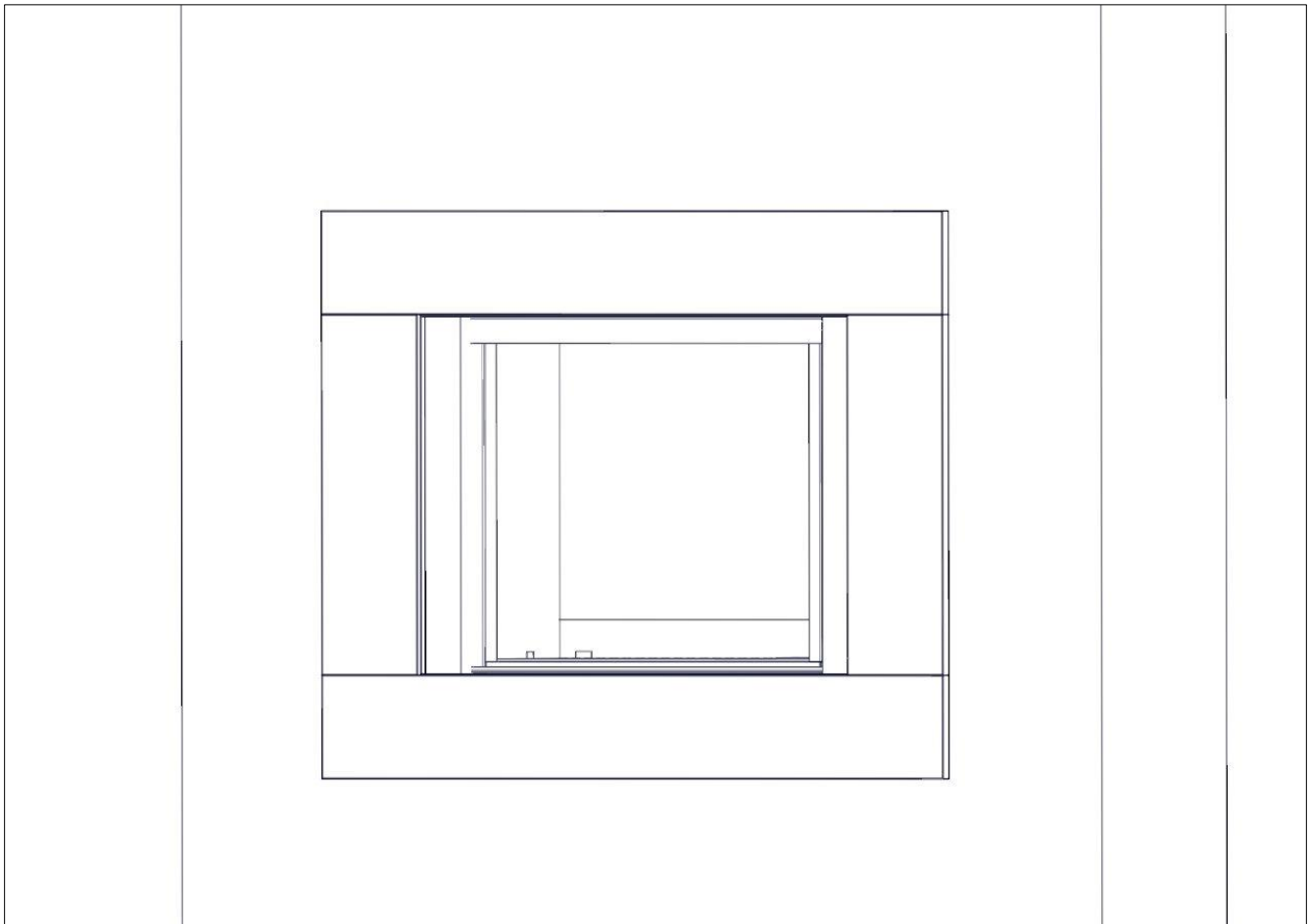


- **Continue to Section Eleven to complete the installation.**



## PREPARING THE OPENING FOR INSTALLATION WITH MARBLE SLIPS

### (Not In Surround)

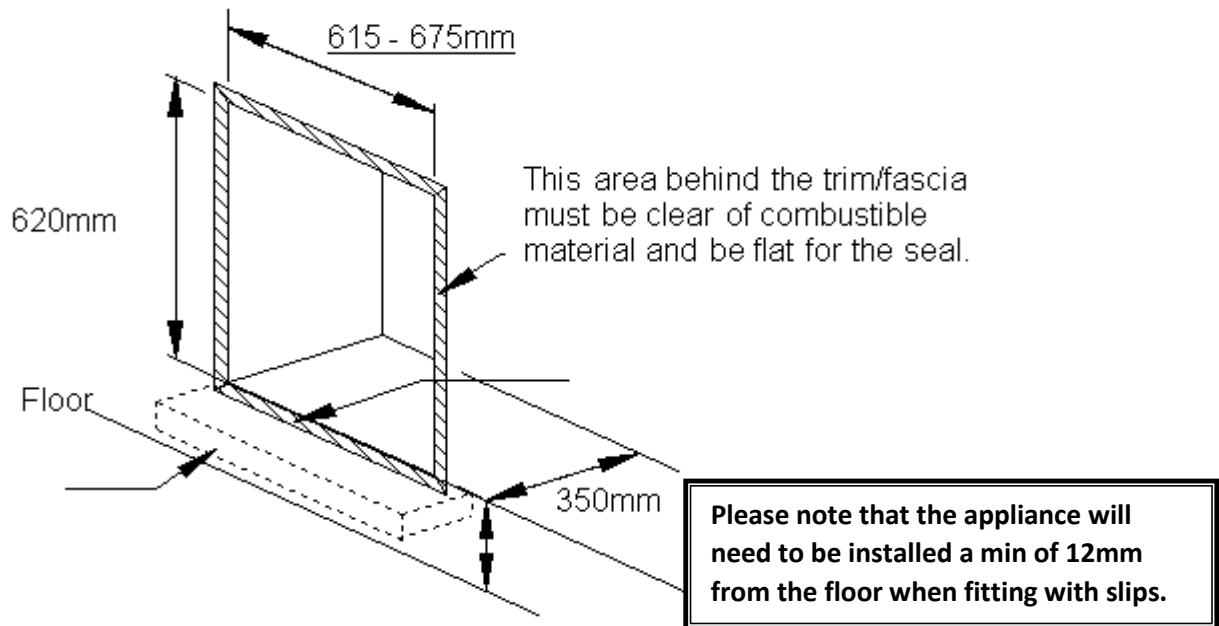


This method of installation will require the frame kit A-0408. The slip brackets included in the kit will be required for this type of installation. The slip brackets are 2 angled brackets with 3 fixing holes on each side that fit to the side of the fireplace frame to enable the fire to sink further back into the wall so that only the 15mm return edge of the fire frame is sitting forward of the wall.

This requires a bigger opening than the other installation methods. 620mm high x 605mm-675mm wide. Also requiring a deeper opening of 350mm.

There is a 15mm return on the front of the fireplace frame that the slips fit up to. The dead on size of this return is 569mm wide x 439mm high so allow a couple of mm when measuring for slips. You will need slips big enough to cover the fire frame so minimum of 100mm is recommended.

## Opening size requirements



**The minimum slip sizes required to cover the slip fixing bracket are 100mm**

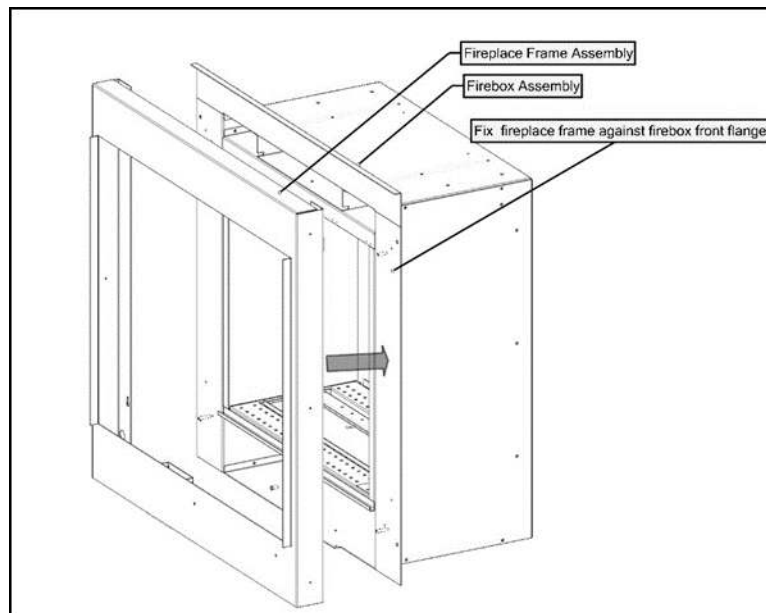
The front face and the base of the fire opening must be flat to ensure that a good seal is formed between the rear and base of the appliance and the chimney to avoid any reduction of natural draught.

### **GAS SUPPLY ROUTING**

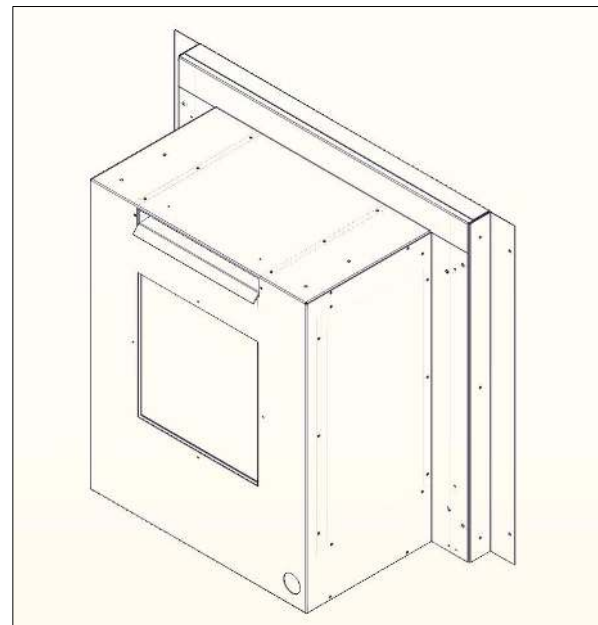
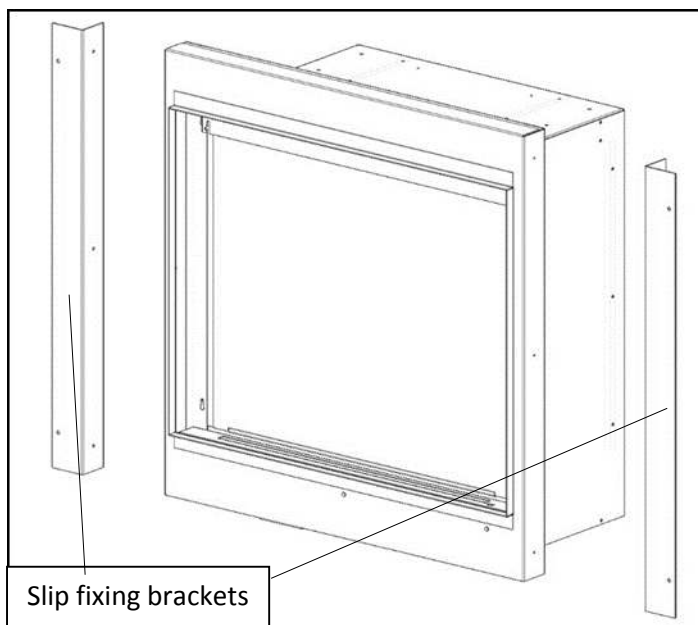
Use rigid or semi – rigid tube to connect the supply. Determine the gas supply pipe route to the appliance before installing the fire. The gas entry position is to the left hand side of the firebox from the rear.

## PREPARING THE FIRE FOR INSTALLATION

- Undo the 2 flange nuts securing the glass clamp from the top of the firebox and remove.
- Fit the fireplace frame assembly to the firebox flange using the 4 off fixing screws provided.

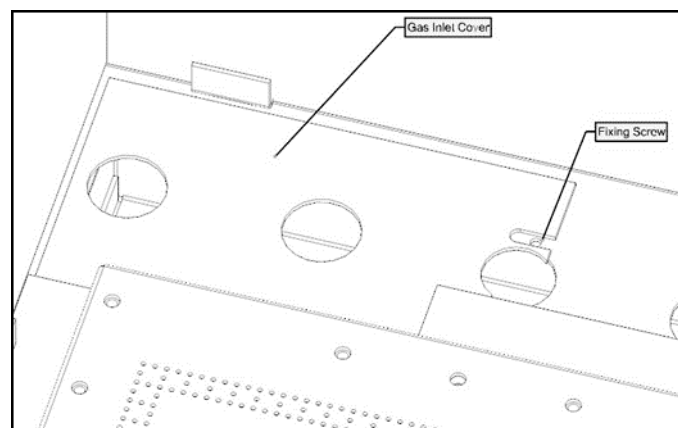


- Attached the 2 off Slip bracket LH and RH onto the fireplace frame assembly using the 6 off fixing screws provided.

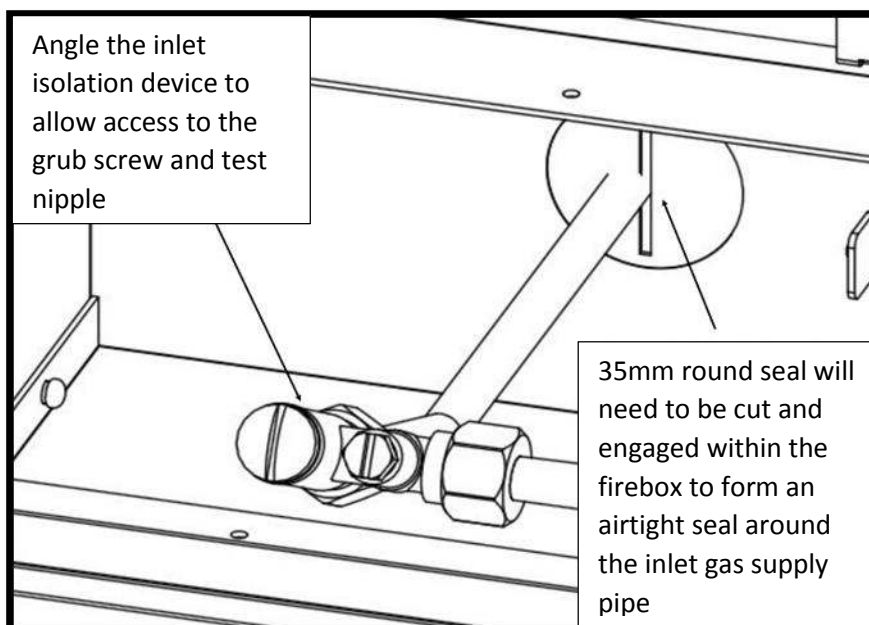


## **INSTALLING THE APPLIANCE**

- Locate the rubber grommet located within the bag of fittings. The grommet needs to be pierced to allow the 8mm gas pipe to pass through.
- Slide the firebox into the opening guiding the gas supply pipe through the hole at the rear LH bottom of the firebox.
- Retain the firebox through the fixing holes within the slip fixing brackets using appropriate wall plugs and fixing screws
- Refit the grommet over the pipe and seal around the inlet hole.
- Remove the gas connection cover located within the burner shelf left side.
- **Thoroughly purge the gas supply pipework to remove any foreign matter to prevent serious damage to the gas control valve.**
- Connect to the restrictor elbow provided.



**Note:** - The isolation valve must be fitted at an angle to allow access to the restrictor plug and gas pressure test nipple.



## CHECKING GAS SOUNDNESS AND RUNNING PRESSURE.

### \*Batteries must be connected before proceeding with any soundness testing\*

- The restrictor elbow needs to be set fully open, remove cap and fully open grub screw, replace cap.
- Turn on the gas supply to the appliance and check for soundness in accordance with current codes of practice.
- Turn off the gas supply at the external Isolation valve.
- Remove the pressure test point screw from the inlet elbow and connect the pressure gauge.
- Turn on the gas to the appliance at the Isolation valve.
- Light the appliance as described in section 2.
- Check the inlet pressure is 20mbar. +/- 1 Natural Gas, 37mbar +/- 1 L.P.G.
- Turn off gas supply, at the isolation valve. Disconnect the pressure gauge and replace the pressure test point screw.
- Turn on the supply to the appliance and check the pressure test point for soundness with detection fluid.
- Refit the gas connection cover.
- Fit the air tray within the location with the burner shelf. Fit the air tray within the location with the burner shelf.



- Place air tray with in burner shelf assembly ensure pilot shield is to the right over the oxy pilot

## LAY FUEL BED

### Important: -

Refer to the Health & Safety Notice located on page 3 of this booklet before laying or replacing any refractory material.

Lay fuel bed as described under Users Section.

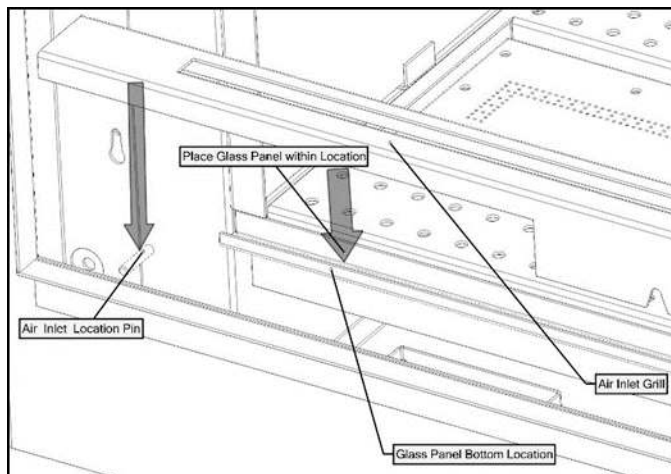
### Warning:

It is important that the fuel bed components are positioned as shown in these instructions.

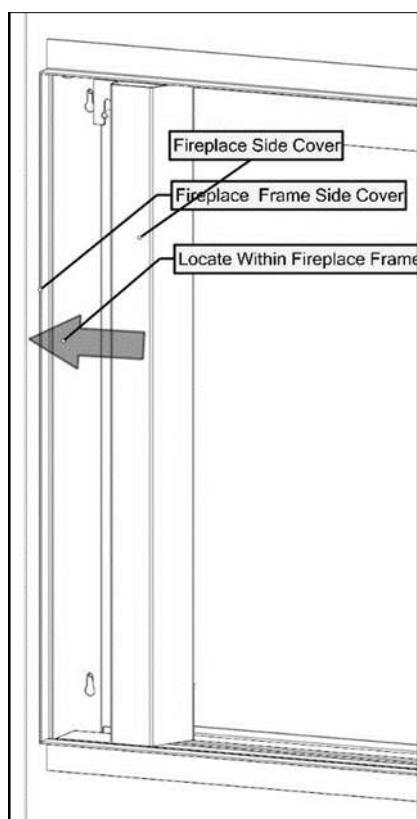
If the fuel bed components are not positioned correctly this may result in damage to the glass and a poor flame picture will result.

## FITTING THE GLASS

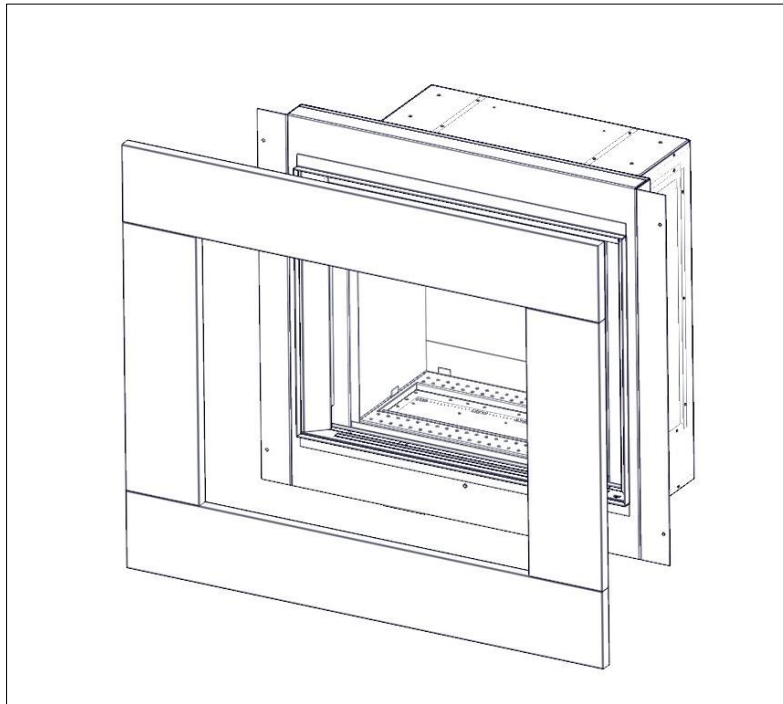
- Place the glass panel within the location bracket within the firebox shelf assembly.
- Retain the glass panel by using the glass fixing bracket and nuts provided. **DO NOT OVER TIGHTEN**
- Connect battery pack as described in section 2. (Operating the appliance). Locate the battery pack in the holder positioned within the fireplace frame.
- Locate the receiver eye within the inlet cover with the head of the receiver visible.



- Inset the inlet cover between the fireplace frame and glass panel location bracket.
- Operate the handset as described in section one. To check the receiver eye is visible.
- Finally locate the fireplace covers LH and RH within the frame.

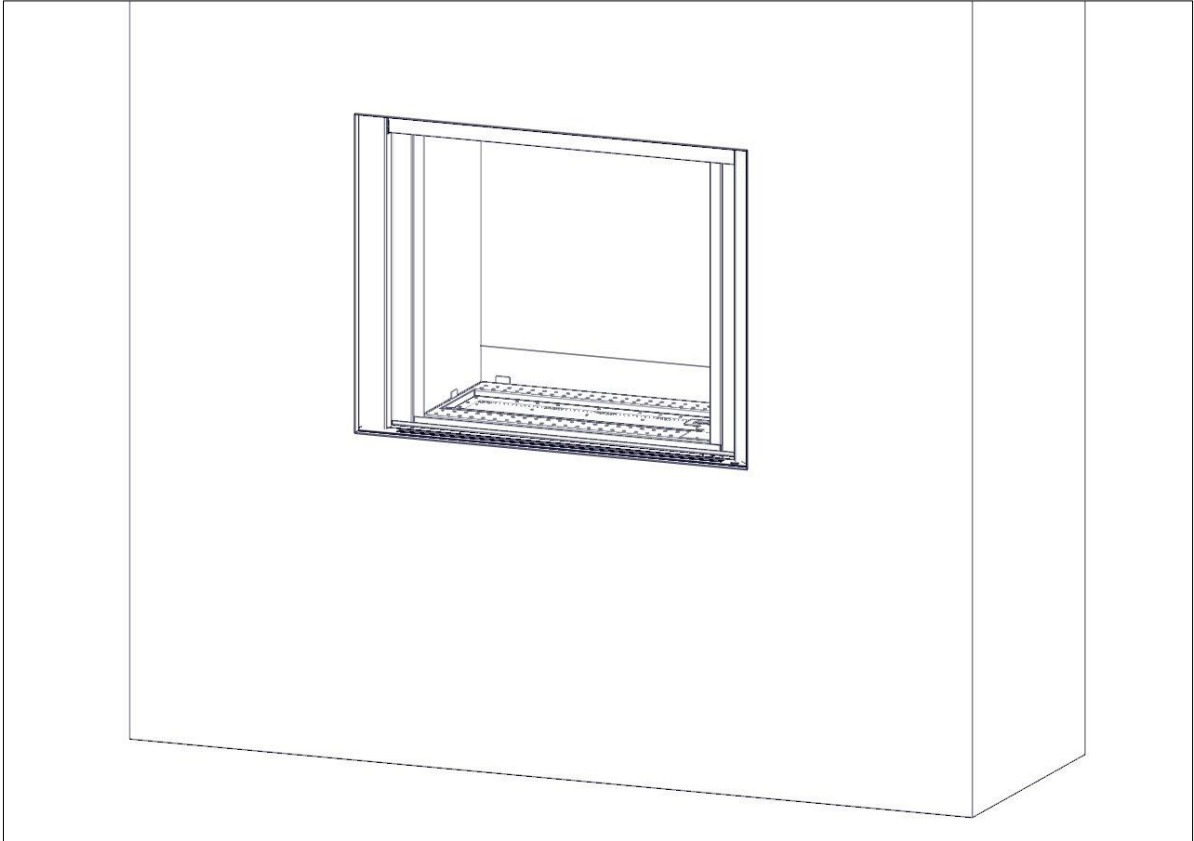


You can now fit the slips using as appropriate fixing method



- **Continue to Section Eleven to complete the installation.**

## PREPARING THE OPENING FOR INSTALLATION WITH A FALSE CHIMNEY BREAST FRONT

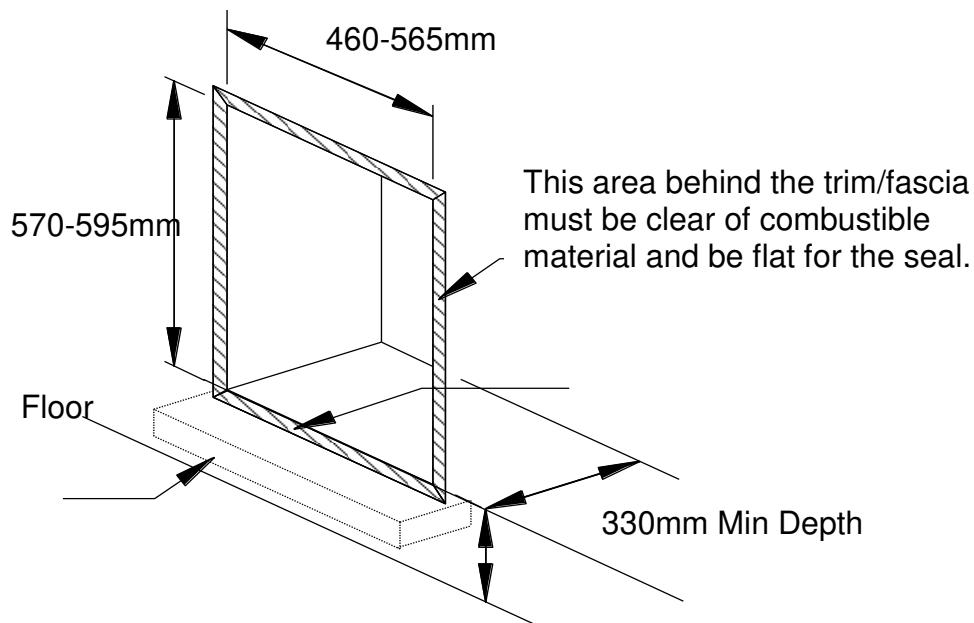


This method of installation will require the frame kit A-0408 and then studwork and plasterboard so this does require building work. The slip brackets included in the kit will **not** be required for this type of installation.

**\*\*\*Note- some installers will opt to sink the fire back using the fireplace frame and slip fixing brackets and then plasterboard over the frame kit. This method of installation has not been tested or approved by us\*\*\***



## Opening size requirements



The front face and the base of the fire opening must be flat to ensure that a good seal is formed between the rear and base of the appliance and the chimney to avoid any reduction of natural draught.

### **GAS SUPPLY ROUTING**

Use rigid or semi – rigid tube to connect the supply. Determine the gas supply pipe route to the appliance before installing the fire. The gas entry position is to the left hand side of the firebox from the rear.

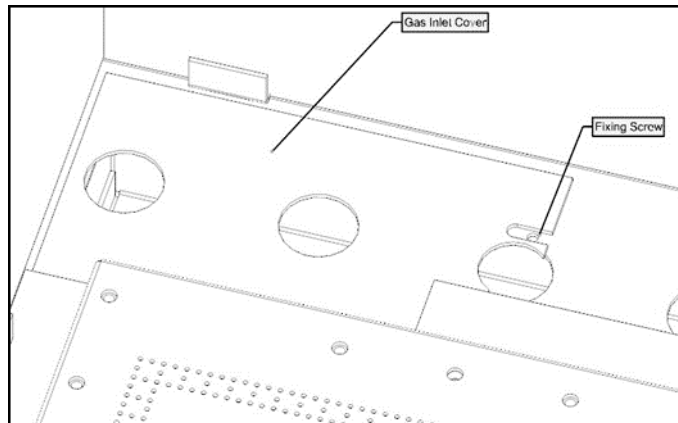
### **PREPARING THE FIRE FOR INSTALLATION**

- Undo the 2 flange nuts securing the glass clamp from the top of the firebox and remove.

### **INSTALLING THE APPLIANCE**

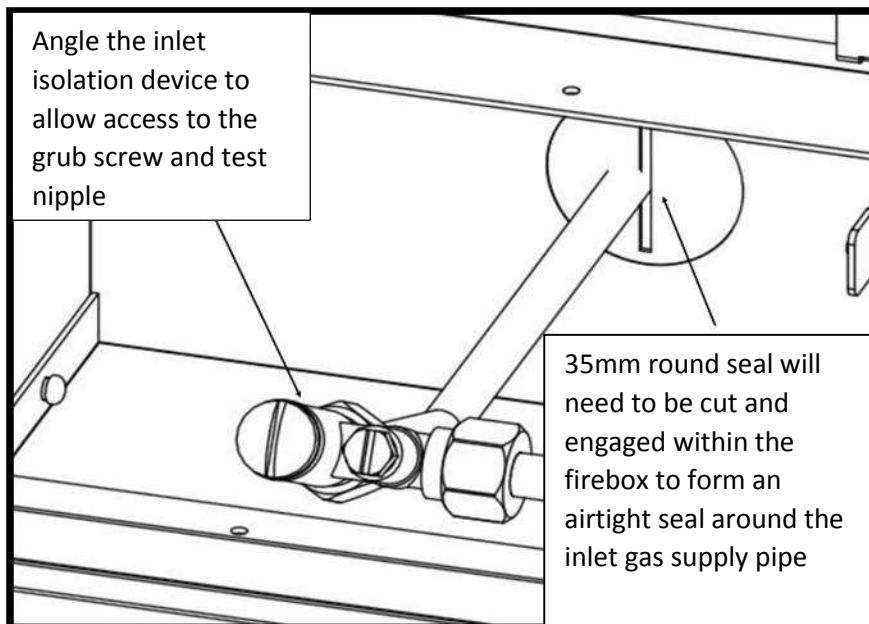
- Locate the rubber grommet located within the bag of fittings. The grommet needs to be pierced to allow the 8mm gas pipe to pass through.
- Slide the firebox into the opening guiding the gas supply pipe through the hole at the rear LH bottom of the firebox.
- Retain the firebox through the fixing holes on the firebox flange using appropriate wall plugs and fixing screws.
- Refit the grommet over the pipe and seal around the inlet hole.

- Remove the gas connection cover located within the burner shelf left side



- Thoroughly purge the gas supply pipework to remove any foreign matter to prevent serious damage to the gas control valve.
- Connect to the restrictor elbow provided.

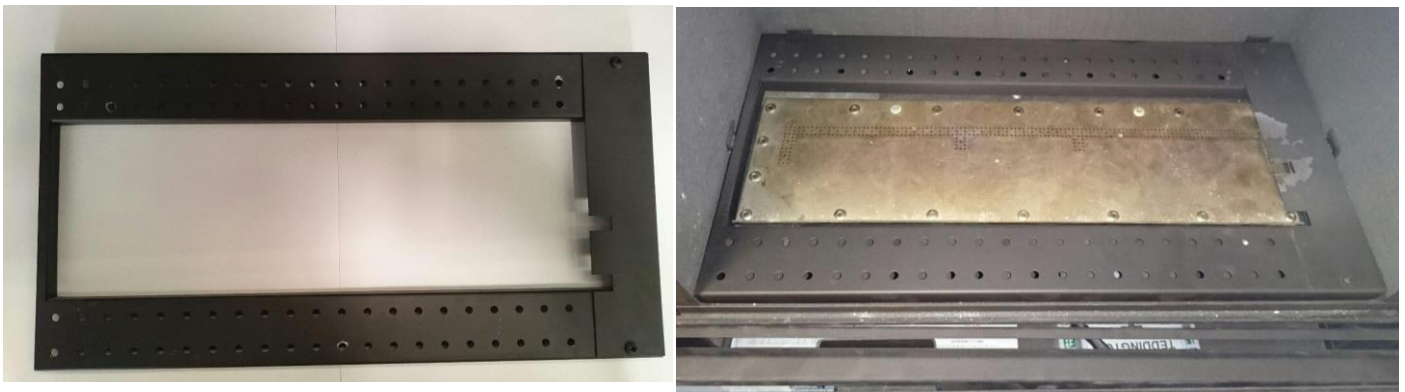
**Note:** - The isolation valve must be fitted at an angle to allow access to the restrictor plug and gas pressure test nipple.



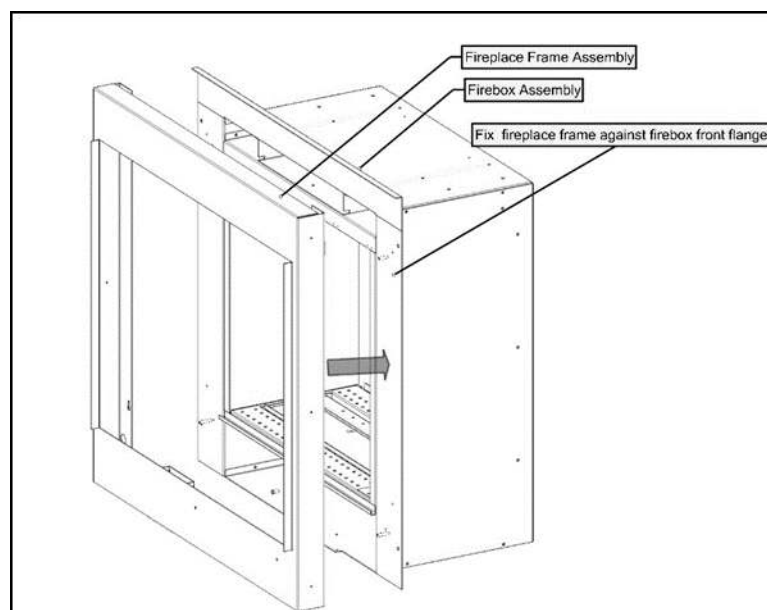
## CHECKING GAS SOUNDNESS AND RUNNING PRESSURE.

**\*Batteries must be connected before proceeding with any soundness testing\***

- Turn on the gas supply to the appliance and check for soundness in accordance with current codes of practice.
- Turn off the gas supply at the external Isolation valve.
- Remove the pressure test point screw from the inlet elbow and connect the pressure gauge.
- Turn on the gas to the appliance at the Isolation valve.
- Light the appliance as described in section 2.
- Check the inlet pressure is 20mbar. +/- 1 Natural Gas, 37mbar +/- 1 L.P.G.
- Turn off gas supply, at the isolation valve. Disconnect the pressure gauge and replace the pressure test point screw.
- Turn on the supply to the appliance and check the pressure test point for soundness with detection fluid.
- Refit the gas connection cover.
- Fit the air tray within the location with the burner shelf. Fit the air tray within the location with the burner shelf.



- Place air tray with in burner shelf assembly ensure pilot shield is to the right over the oxy pilot
- 
- Fit the fireplace frame assembly to the firebox flange using the six off fixing screws provided.



## LAY FUEL BED

### Important: -

Refer to the Health & Safety Notice located on page 3 of this booklet before laying or replacing any refractory material.

Lay fuel bed as described under Users Section.

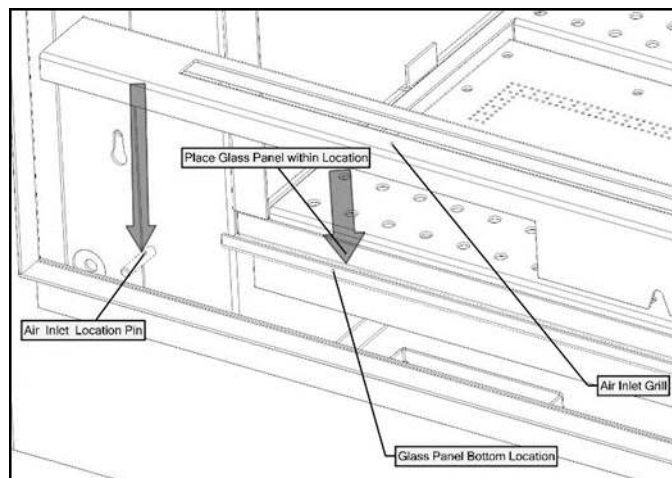
### Warning:

It is important that the fuel bed components are positioned as shown in these instructions.

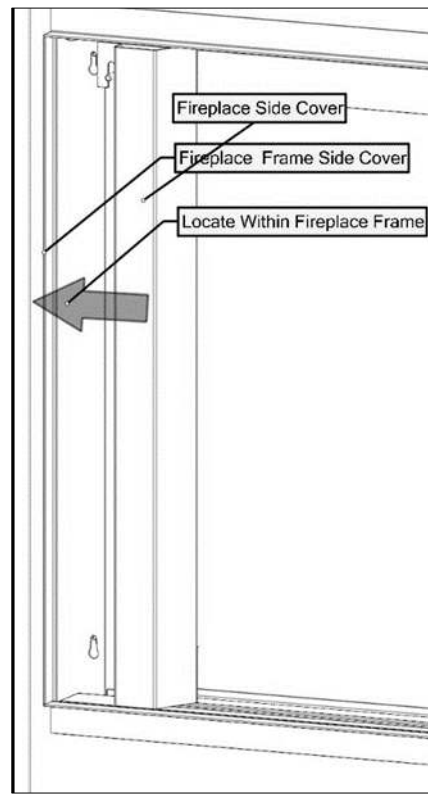
If the fuel bed components are not positioned correctly this may result in damage to the glass and a poor flame picture will result.

## FITTING THE GLASS

- Place the glass panel within the location bracket within the firebox shelf assembly.
- Retain the glass panel by using the glass fixing bracket and nuts provided.
- Connect battery pack as described in section 2. (Operating the appliance). Locate the battery pack in the holder positioned within the fireplace frame.
- Locate the receiver eye within the inlet cover with the head of the receiver visible.

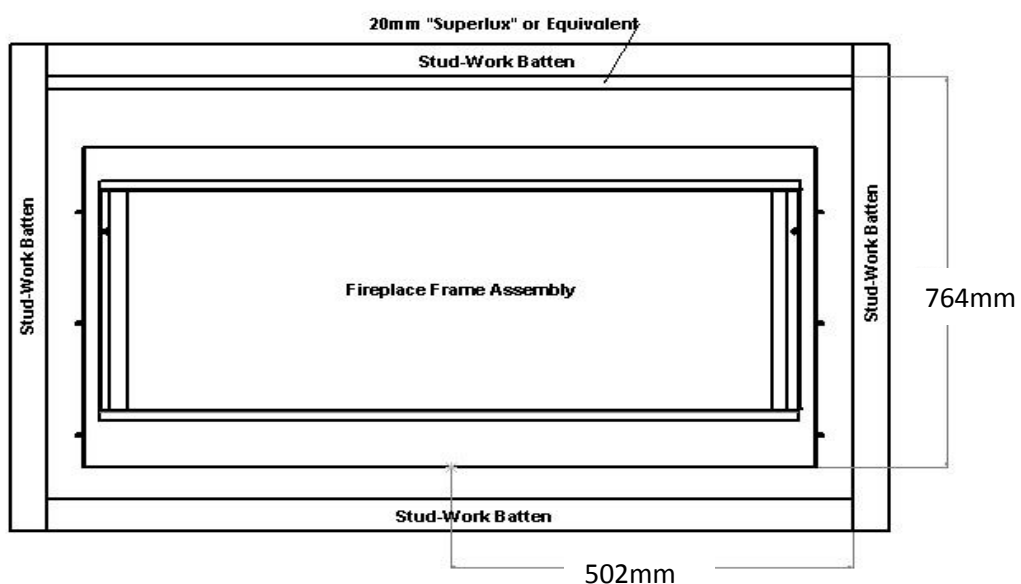


- Inset the inlet cover between the fireplace frame and glass panel location bracket.
- Operate the handset as described in section one.
- Finally locate the fireplace covers LH and RH within the frame



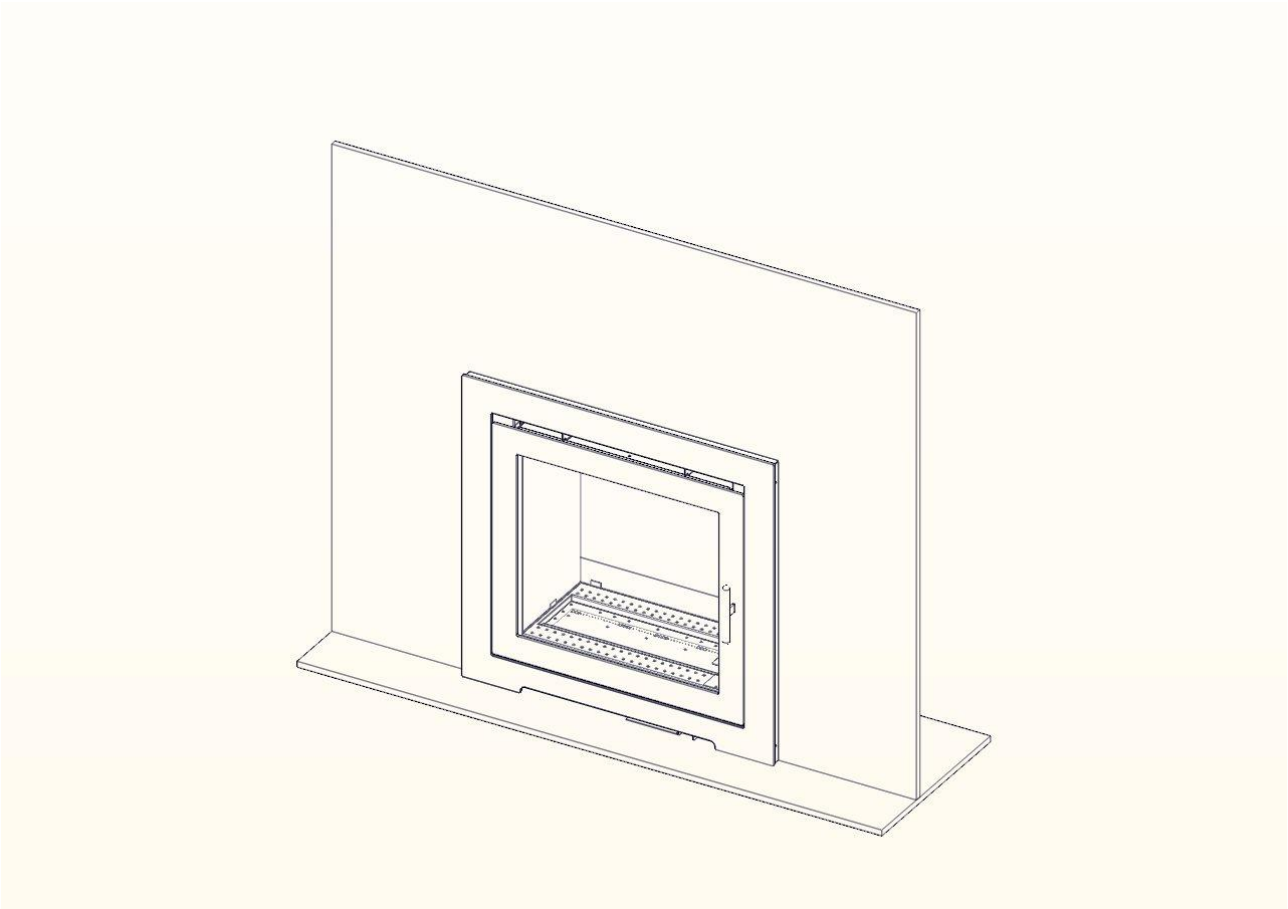
**Construction of a false chimneybreast front.**

- Using 50mm K.D Sawn studwork will provide the required rebate.
- The vertical sides of the studwork should not be less than 502mm from the centre of the firebox. The horizontal studwork should not be less than 764mm from the base of the firebox. This will ensure 50mm minimum clearance from the sides and 110mm clearance from the top of the firebox is maintained.
- An insulation material (20mm “Super lux” or equivalent) should be attached to the underside face of the horizontal studwork directly above the firebox assembly.
- Line the remaining 3 sides of the opening with 12mm thick non-combustible material.

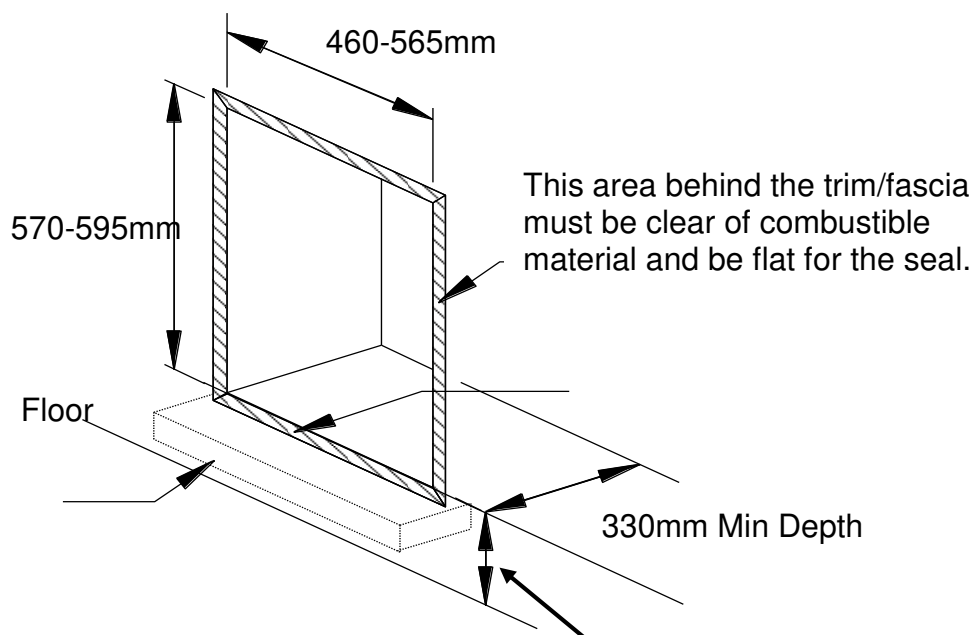


**Continue to Section Eleven to complete the installation.**

## PREPARING THE OPENING FOR 3 SIDED FASCIA



Must only be fitted with the 3 sided fascia supplied by Charlton & Jenrick Ltd.



**Please note that opening height will need increasing to include the hearth thickness.**

The front face and the base of the fire opening must be flat to ensure that a good seal is formed between the rear and base of the appliance and the chimney to avoid any reduction of natural draught.

### **GAS SUPPLY ROUTING**

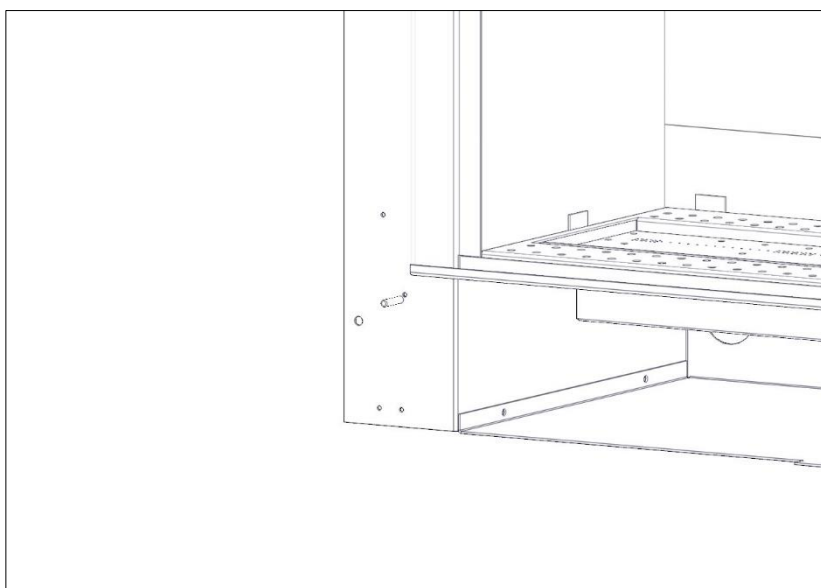
Use rigid or semi – rigid tube to connect the supply. Determine the gas supply pipe route to the appliance before installing the fire. The gas entry position is to the left hand side of the firebox from the rear.

### **INSTALLING THE FIREPLACE**

- Install the fireplace following best practice using mechanical fixing supplied with the fireplace.
- Ensure that a level base extends into the fire opening level with the hearth.
- When installing this appliance against a dry lined (plasterboard) wall ensure that any void between the plasterboard and the wall is sealed with a suitable non-combustible material (i.e. plaster or mortar).
- Ensure any voids between the back panel and wall are also sealed with a suitable non-combustible material (i.e. plaster or mortar).

### **PREPARING THE FIRE FOR INSTALLATION**

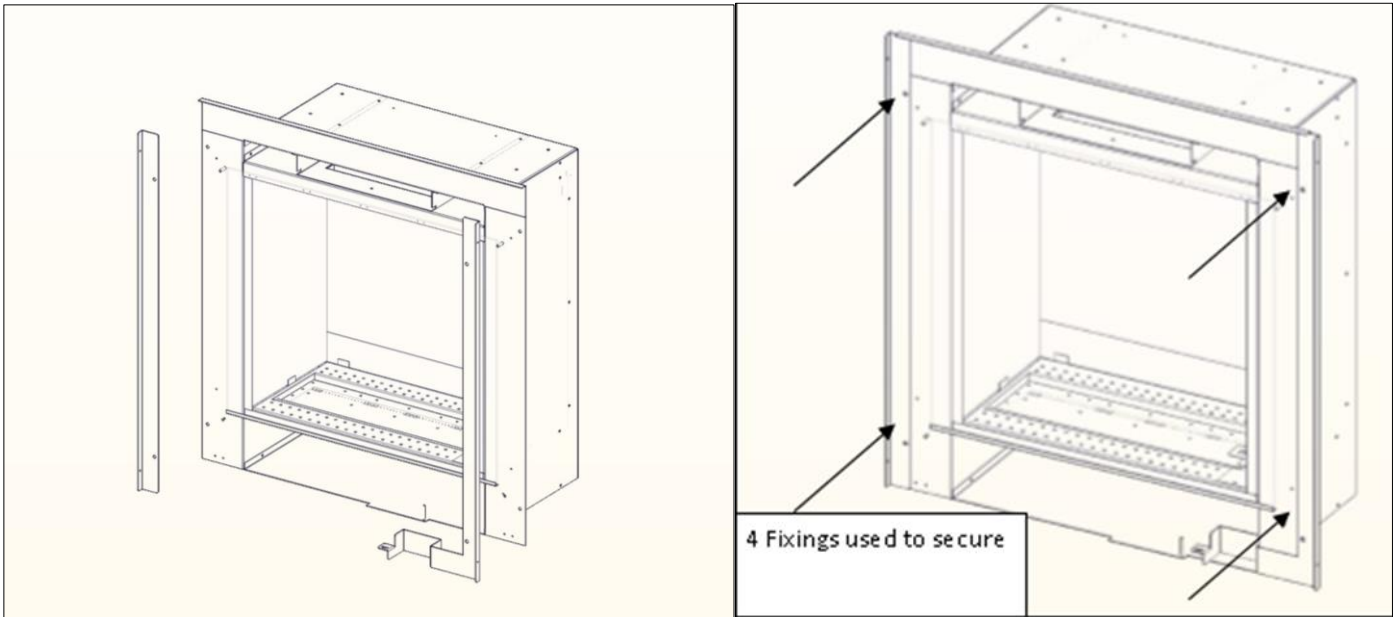
- Remove the two M4x20 studs from the lower part of the LH and RH flange



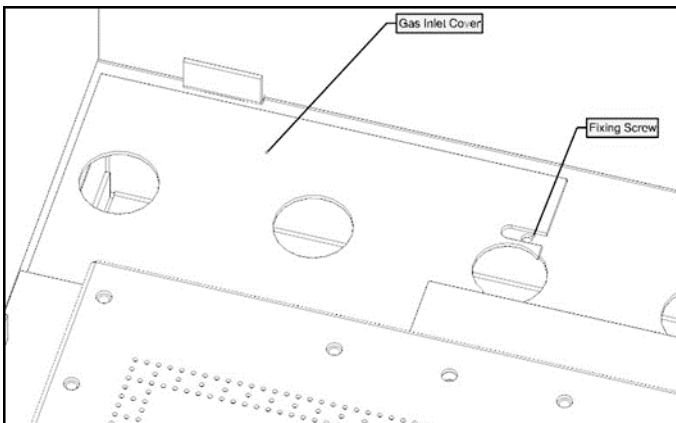
- Fit silicon sealing strip to rear edge of the fire box flange

### **INSTALLING THE APPLIANCE**

- Locate the rubber grommet located within the bag of fittings. The grommet needs to be pierced to allow the 8mm gas pipe to pass through.
- Slide the firebox into the opening guiding the gas supply pipe through the hole at the rear LH bottom of the firebox.
- Fit the two fascia side brackets using the same fixings that are used to secure the firebox. The right hand bracket has the battery and remote eye receiver bracket attached.



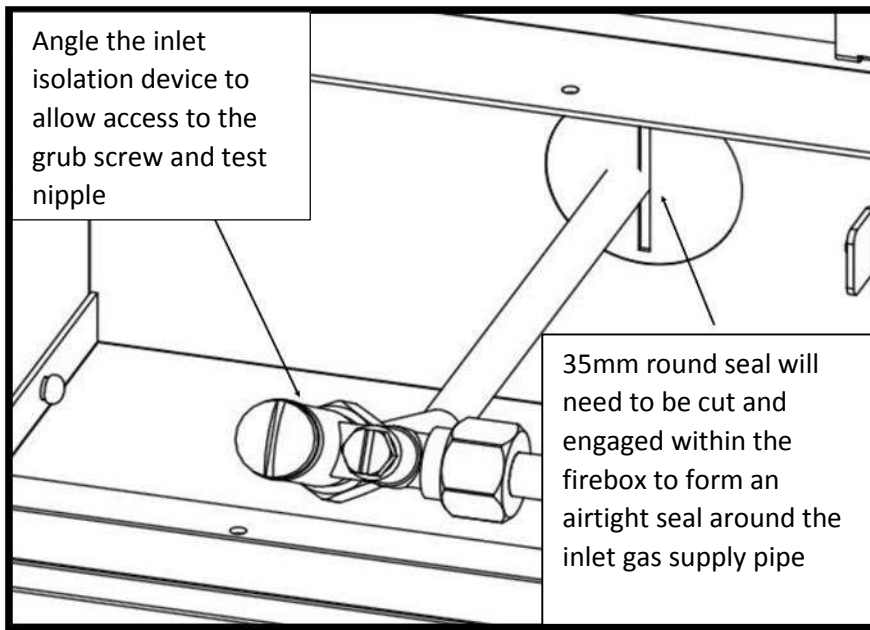
- Refit the grommet over the pipe and seal around the inlet hole.
- Remove the gas connection cover located within the burner shelf left side.
- 



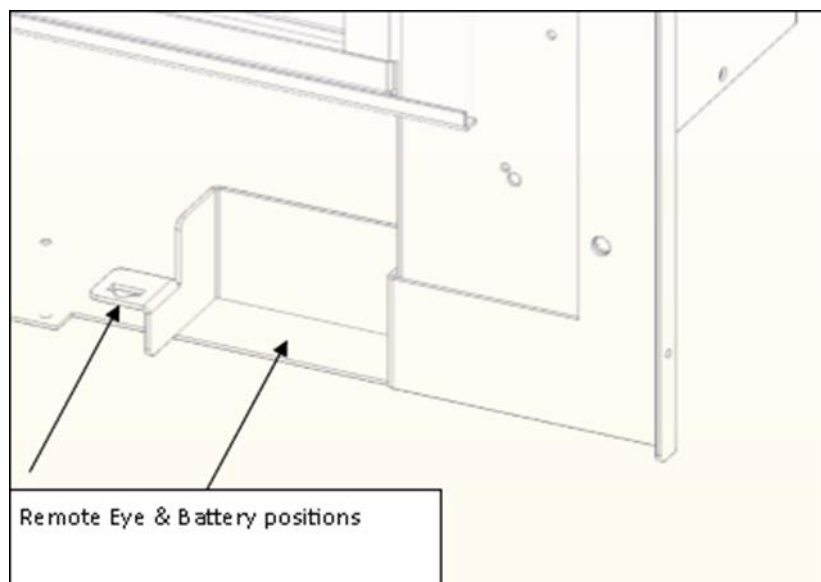
- **Thoroughly purge the gas supply pipework to remove any foreign matter to prevent serious damage to the gas control valve.**
- Connect to the restrictor elbow provided.



**Note:** - The isolation valve must be fitted at an angle to allow access to the restrictor plug and gas pressure test nipple.



- Connect the battery pack as described in section one. Place in the battery holder at the front edge on the right hand side.
- Locate the remote receiver eye within the bracket located at the left hand side of the battery holder making sure the complete curved face is projecting clear of the bottom fascia edge.

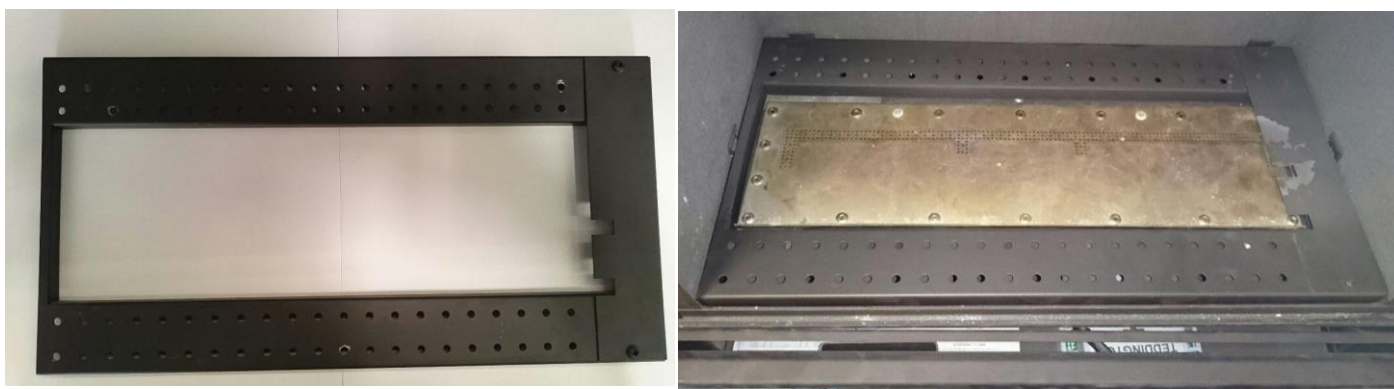


## CHECKING GAS SOUNDNESS AND RUNNING PRESSURE.

**\*Batteries must be connected before proceeding with any soundness testing\***

- Turn on the gas supply to the appliance and check for soundness in accordance with current codes of practice.
- Turn off the gas supply at the external Isolation valve.

- Remove the pressure test point screw from the inlet elbow and connect the pressure gauge.
- Turn on the gas to the appliance at the Isolation valve.
- Light the appliance as described in section 2.
- Check the inlet pressure is 20mbar. +/- 1 Natural Gas, 37mbar +/- 1 L.P.G.
- Turn off gas supply, at the isolation valve. Disconnect the pressure gauge and replace the pressure test point screw.
- Turn on the supply to the appliance and check the pressure test point for soundness with detection fluid.
- Refit the gas connection cover.
- Fit the air tray within the location with the burner shelf. Fit the air tray within the location with the burner shelf.



- Place air tray with in burner shelf assembly ensure pilot shield is to the right over the oxy pilot

## LAY FUEL BED

### Important: -

Refer to the Health & Safety Notice located on page 3 of this booklet before laying or replacing any refractory material.

Lay fuel bed as described under Users Section.

### Warning:

It is important that the fuel bed components are positioned as shown in these instructions.

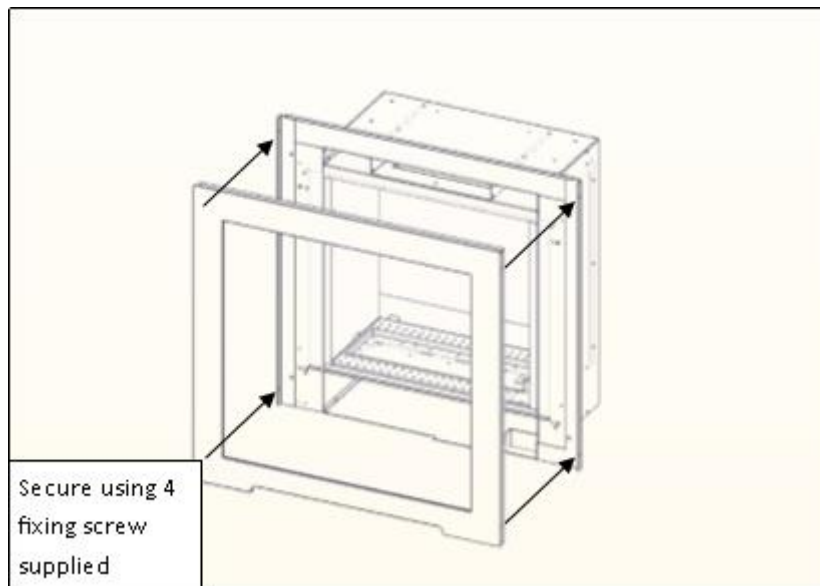
If the fuel bed components are not positioned correctly this may result in damage to the glass and a poor flame picture will result.

## FITTING THE GLASS

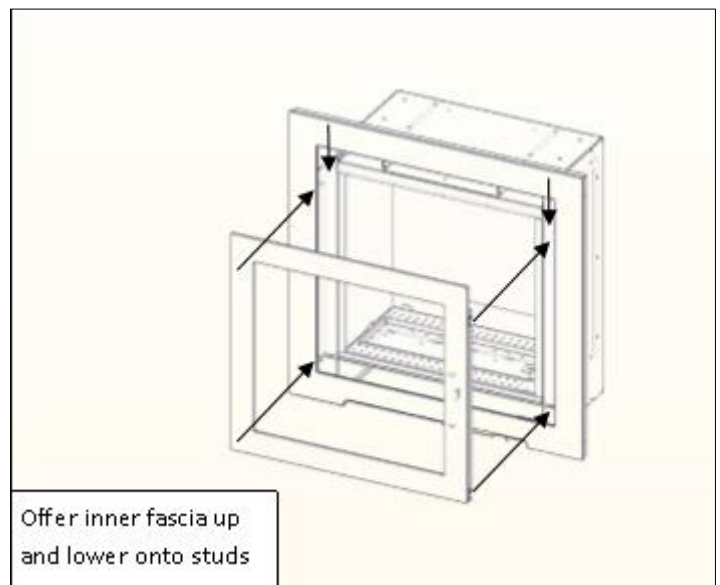
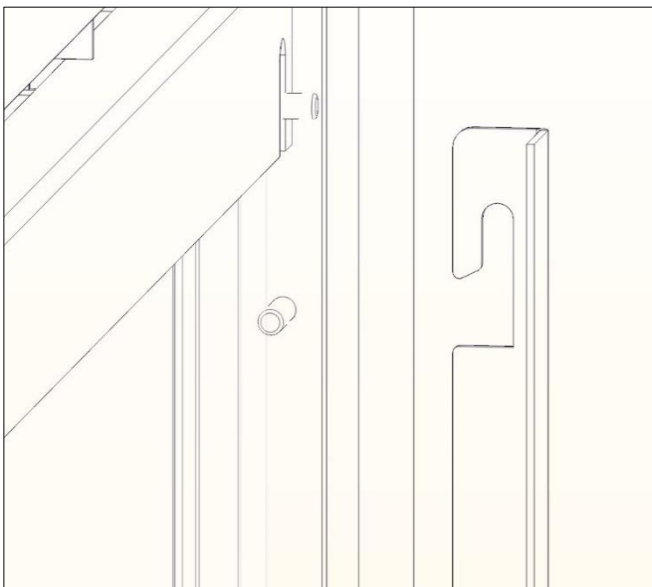
- Place the glass panel within the location bracket within the firebox shelf assembly.
- Retain the glass panel by using the glass fixing bracket and nuts provided. **DO NOT OVER TIGHTEN**

## **Fitting Outer Fascia Trim**

- Offer up the outer fascia against the firebox and secure from the sides with 4 screws provided with the fascia.



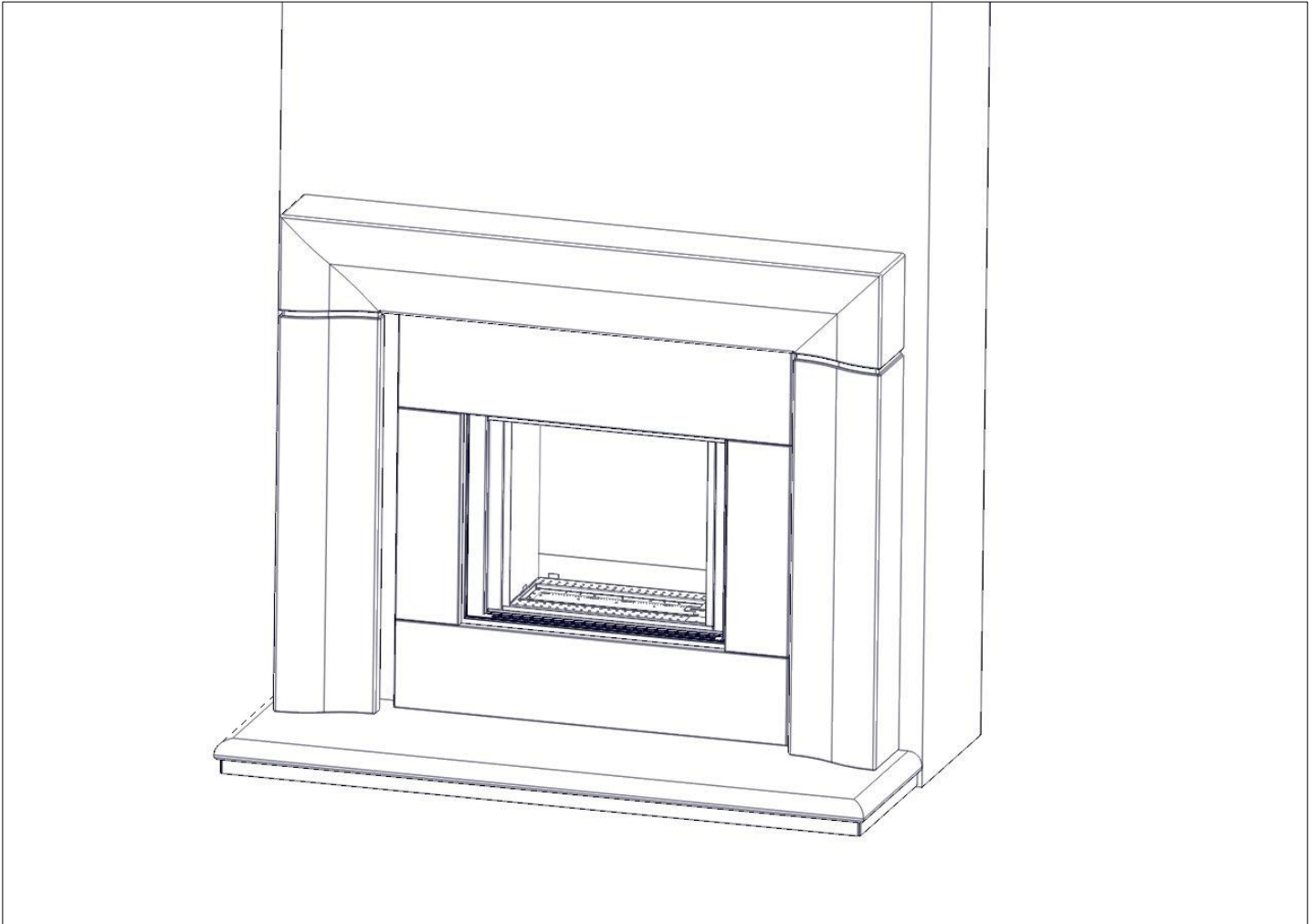
- Offer up the inner fascia locating it on the four projecting studs making sure that all four are fully engaged.



- **Continue to Section Eleven to complete the installation.**

## PREPARING THE OPENING FOR THE FIRE IN SURROUND OPTION

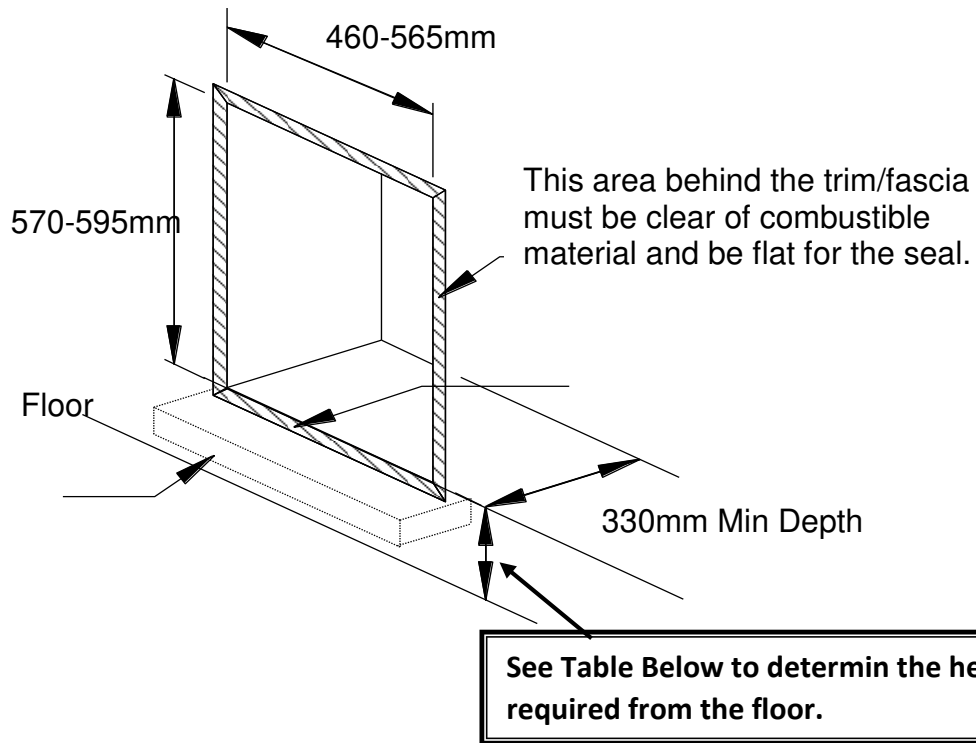
This requires the frame kit A-0408 to fit the fire to a rebated surround ( the slip brackets are also supplied in this kit but are not required for this type of installation) This has to be ordered with sales at the time of order. All our own packages will have the frame included. The rebate should be 3” and all our packages have a 3” rebate.



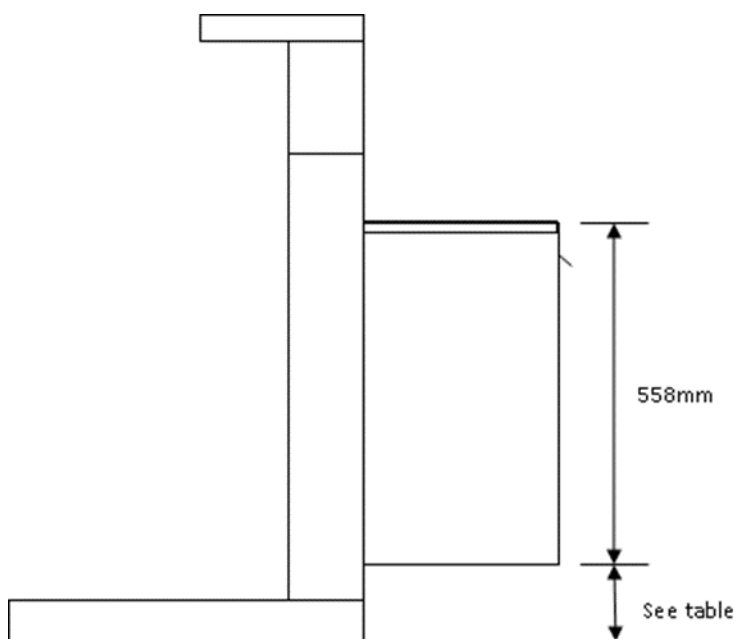
This requires the frame kit A-0408 to fit the fire to a rebated surround (the slip brackets are also supplied in this kit but are not required for this type of installation) This has to be ordered with sales at the time of order.

All our own packages will have the frame included. The rebate should be a minimum 3” and all our suite packages have a 3” rebate.

The fire requires an opening of 450-565mm wide 570-595mm high and 330mm minimum depth.



The front face and the base of the fire opening must be flat to ensure that a good seal is formed between the rear and base of the appliance and the chimney to avoid any reduction of natural draught.



Surround	Height from floor
Aylesbury	168mm
Beckford	127mm
Stokesay	132mm
Wave	169mm

- An allowance should be made for the thickness of the hearth bedding material.

## Clearance to Shelf

Minimum clearance from hearth or base of opening to underside of combustible shelf should be 800mm providing the shelf depth is 75mm (3"). This gives a minimum clearance above the appliance of 140mm. For a shelf of 150mm (6") the minimum height above the hearth or base of opening must be 880mm. This will give a minimum clearance above the appliance of 220mm.

## Clearance to Sides of Fire

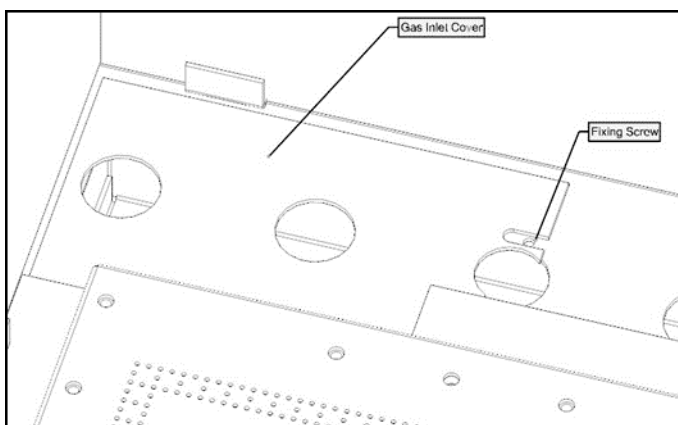
Minimum width between vertical sides of combustible surround should not be less than 875 mm provided fire is central to the surround and sides do not project more than 150 mm. When vertical side forward projection is increased by 12.5 mm add 50 mm to inside width of surround.

## GAS SUPPLY ROUTING

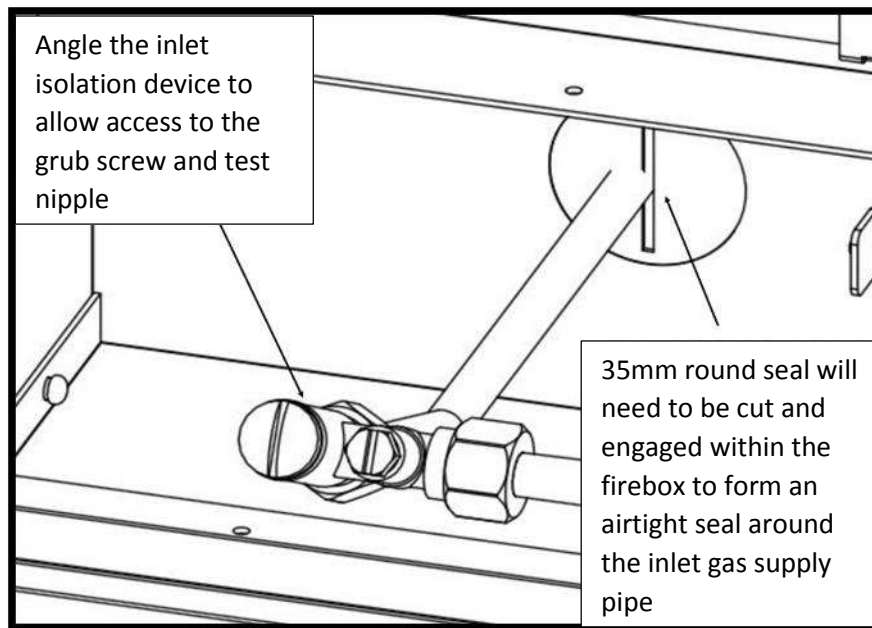
Use rigid or semi – rigid tube to connect the supply. Determine the gas supply pipe route to the appliance before installing the fire. The gas entry position is to the left hand side of the firebox from the rear.

## INSTALLING THE APPLIANCE

- Locate the rubber grommet located within the bag of fittings. The grommet needs to be pierced to allow the 8mm gas pipe to pass through.
- Slide the firebox into the opening guiding the gas supply pipe through the hole at the rear LH bottom of the firebox.
- Retain the firebox through the fixing holes within the slip fixing brackets using appropriate wall plugs and fixing screws
- Refit the grommet over the pipe and seal around the inlet hole.
- Remove the gas connection cover located within the burner shelf left side.
- **Thoroughly purge the gas supply pipework to remove any foreign matter to prevent serious damage to the gas control valve.**
- Connect to the restrictor elbow provided.



**Note:** - The isolation valve must be fitted at an angle to allow access to the restrictor plug and gas pressure test nipple.



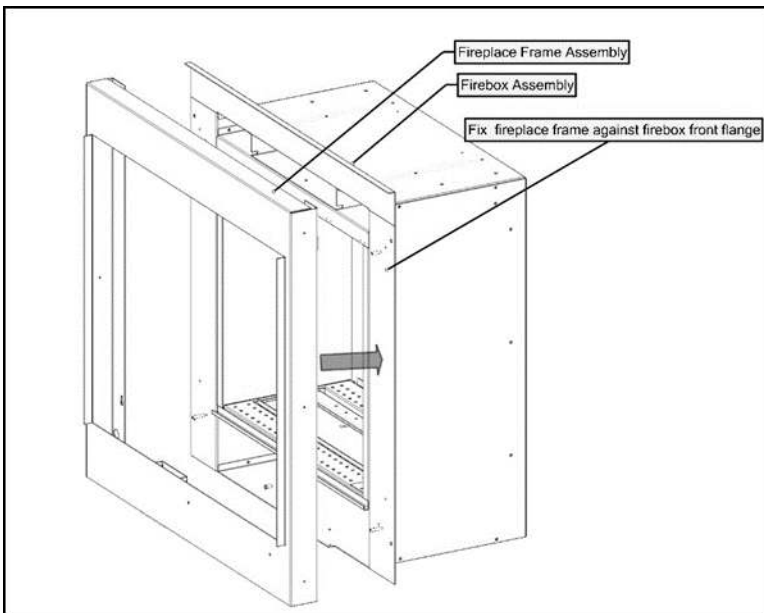
## CHECKING GAS SOUNDNESS AND RUNNING PRESSURE.

**\*Batteries must be connected before proceeding with any soundness testing\***

- Turn on the gas supply to the appliance and check for soundness in accordance with current codes of practice.
- Turn off the gas supply at the external Isolation valve.
- Remove the pressure test point screw from the inlet elbow and connect the pressure gauge.
- Turn on the gas to the appliance at the Isolation valve.
- Light the appliance as described in section 2.
- Check the inlet pressure is 20mbar. +/- 1 Natural Gas, 37mbar +/- 1 L.P.G.
- Turn off gas supply, at the isolation valve. Disconnect the pressure gauge and replace the pressure test point screw.
- Turn on the supply to the appliance and check the pressure test point for soundness with detection fluid.
- Refit the gas connection cover.
- Fit the air tray within the location with the burner shelf. Fit the air tray within the location with the burner shelf.



- Place air tray with in burner shelf assembly ensure pilot shield is to the right over the oxy pilot
- Fit the fireplace frame assembly to the firebox flange using the 4 off fixing screws provided.



## LAY FUEL BED

### Important: -

Refer to the Health & Safety Notice located on page 3 of this booklet before laying or replacing any refractory material.

Lay fuel bed as described under Users Section.

### Warning:

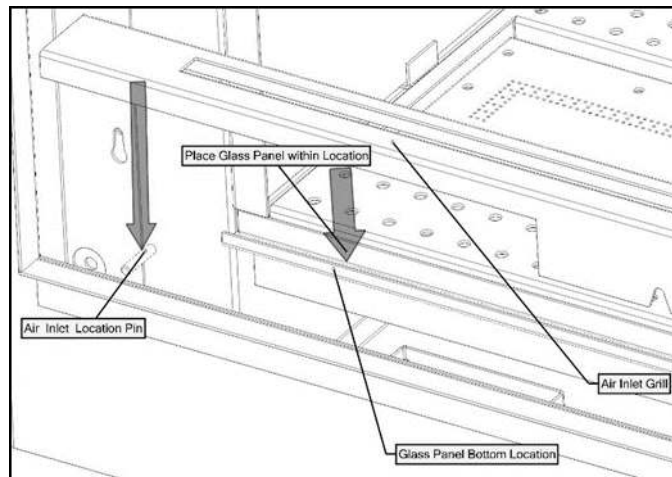
It is important that the fuel bed components are positioned as shown in these instructions.

If the fuel bed components are not positioned correctly this may result in damage to the glass and a poor flame picture will result.

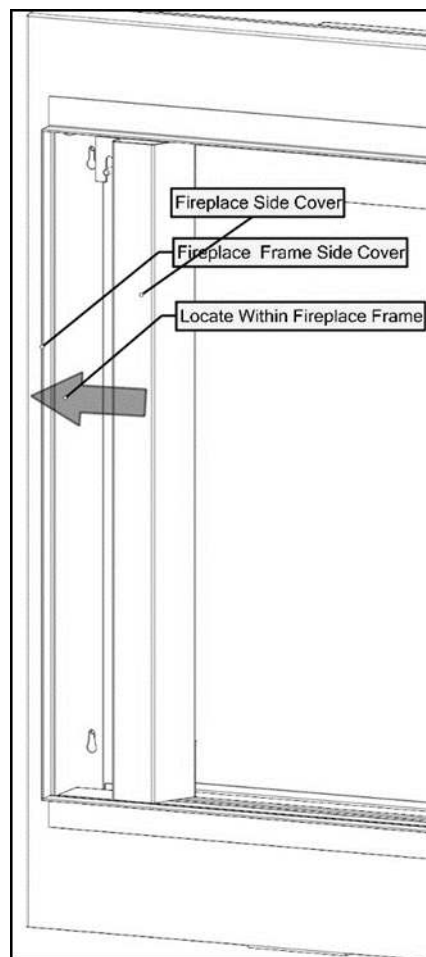
## FIT GLASS

- Place the glass panel within the location bracket within the firebox shelf assembly.
- Retain the glass panel by using the glass fixing bracket and nuts provided.
- Connect battery pack as described in section 2. (Operating the appliance). Locate the battery pack in the holder positioned within the fireplace frame.
- Locate the receiver eye within the inlet cover with the head of the receiver visible.





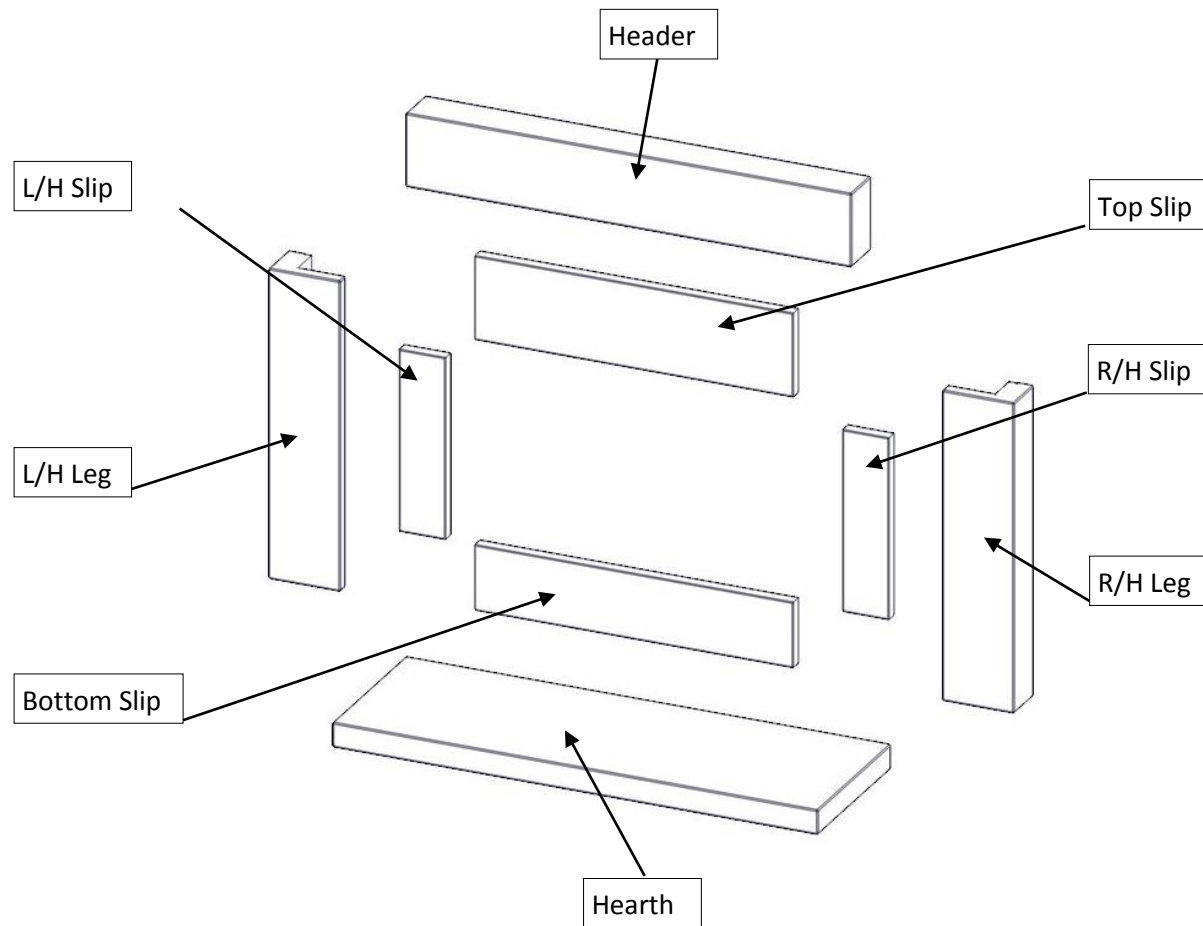
- Inset the inlet cover between the fireplace frame and glass panel location bracket.
- Operate the handset as described in section one.
- Finally locate the fireplace covers LH and RH within the frame



- **Continue to Section Eleven to complete the installation.**

## SECTION TEN Fireplace Installation

### FIREPLACE IDENTIFICATION



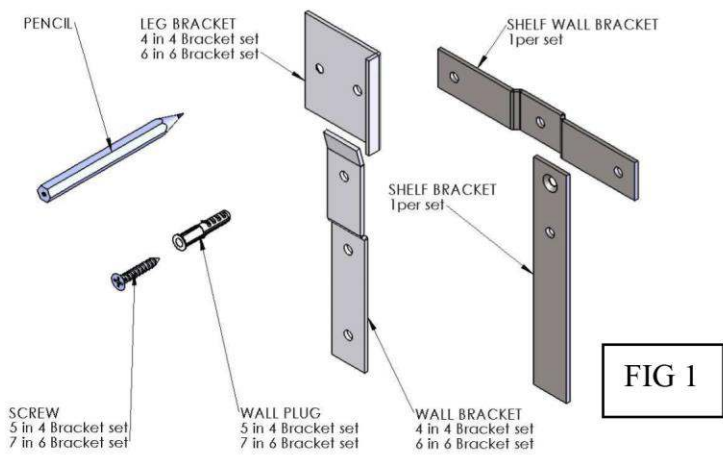
THESE INSTRUCTIONS DO NOT REPLACE THE "INSTALLATION OF FIREPLACES"

INSTRUCTIONS SUPPLIED WITH THE FIREPLACE BUT SHOULD BE USED IN CONJUNCTION WITH THEM

Additionally you should ensure you have suitable tools, adhesive and other materials to carry out the work correctly and safely.

It is important that you establish the makeup of the wall to which it is intended to fix the fireplace, and that you ensure you have suitable wall fixings that can fix the brackets provided in a manner that will withstand the mass (weight) of the fireplace that will result in a secure installation.

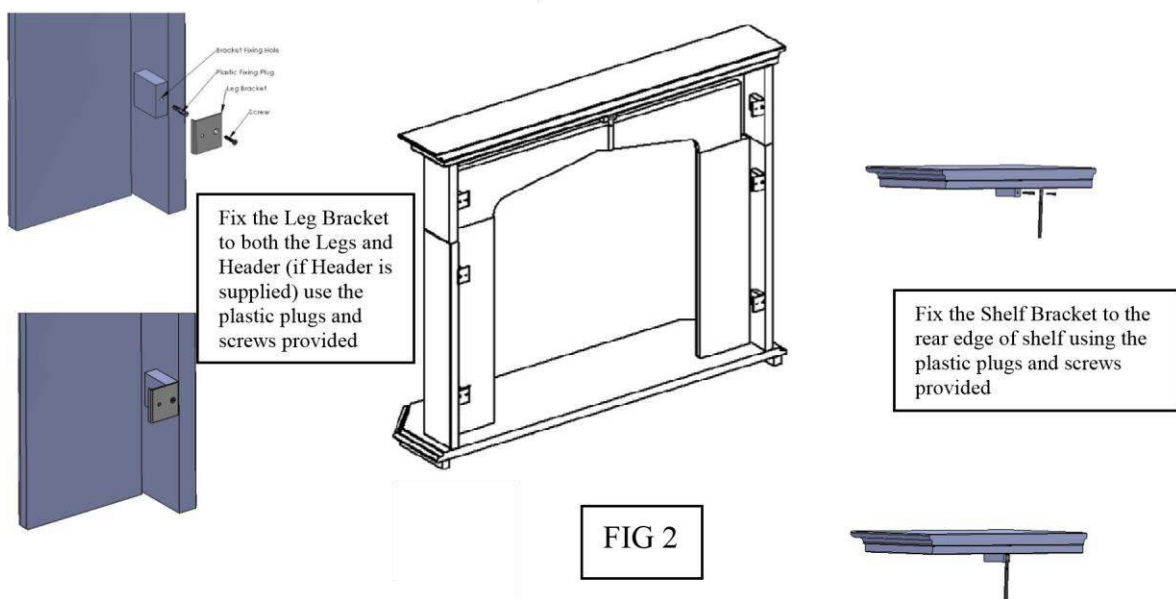
- Fix the "Leg Bracket" to the legs and to the ends of the header as shown below, also if a separated shelf is to be fitted fix the "Shelf Bracket" to the rear edge of the shelf, These brackets are fixed using the plastic plugs and screws provided, ensure the countersunk hole is used for the location of the screw see Fig 2.

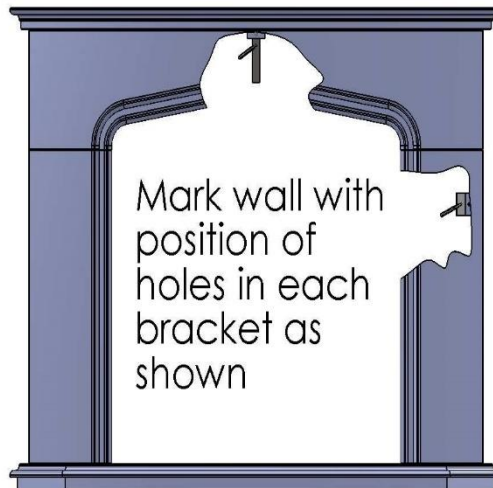


We provide 2 sizes of fixing kit:

Kit 1 is for a 4 bracket set this kit is for use where the fireplace does not have a separate header, please check you bracket kit with Fig.1

Kit 2 is for use where the header is provided as separate component, on some of these fireplaces the shelf will already be attached to the header so the shelf bracket and shelf wall bracket need not be used, please check you have the correct bracket kit with Fig.1





- After laying the hearth in accordance with the Fireplace Installation Instructions, very carefully dry build the fireplace without the back panel in position, satisfy yourself that it is correctly positioned on the hearth and all the components line up square neatly against the wall.
- Using the pencil provided mark through the remaining hole in each bracket, this can be done via the fireplace opening see Fig 3, and this may be difficult with some fireplaces, so in those cases mark the outside profile of the fireplace on the wall then disassembling the fireplace. Offer up each part in turn and mark through the hole on the bracket.
- Carefully disassemble the fireplace and put to one side, locate the pencil marks made from the “Leg brackets” on the wall. Using each pencil mark in turn align the top hole of the “Wall bracket” with mark and the bracket held vertically as shown in Fig 4 pencil through the other 2 holes. These new marks are where you will drill and make the fixing to the wall see Fig 4. Now align the centre hole of the “Shelf Wall Bracket” with mark on the wall and holding the bracket horizontally mark through the other 2 holes see Fig 5. Drill and fix the “Wall Brackets” and the “Shelf Wall Bracket” using suitable secure fixings ensure they are “fit for purpose” and are more than suitable of restraining the weight of the fireplace against the wall.
- Rebuild the fireplace (refer to the “Fireplace Installation Instructions”) locating the “Leg Brackets” behind the “Wall Brackets” suitable adhesive should be applied to the rear of the legs, remembering this time to fit the back panel. Assemble in a similar way the header, and then finally the shelf this should be additionally glued to the top of the header and the “Shelf Bracket” should be located into the “Shelf Wall Bracket”

THESE INSTRUCTIONS DO NOT REPLACE THE “INSTALLATION OF FIREPLACES”

INSTRUCTIONS SUPPLIED WITH THE FIREPLACE BUT SHOULD BE USED IN CONJUNCTION WITH THEM

FIG 4

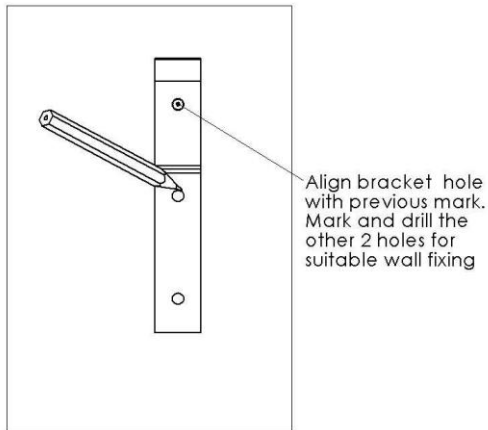
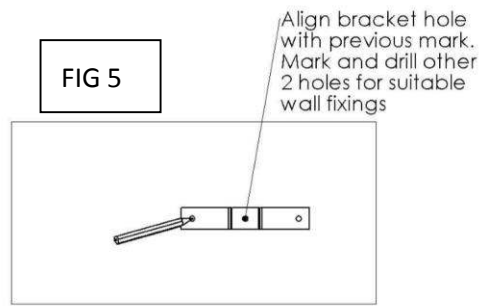


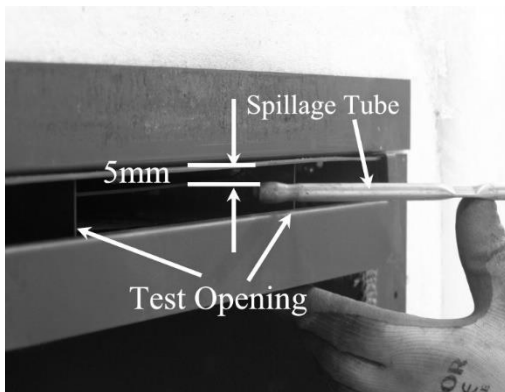
FIG 5



## SECTION ELEVEN Checking Operation of Fire

### CHECKING FOR COMBUSTION PRODUCTS CLEARANCE

**IMPORTANT:**-The smoke test must be carried out with the fire starting from cold.



- Light the fire and leave at maximum input.
- Close all the doors and windows.
- After five minutes fit the smoke match in a holder and position as illustrated with the head of the match just inside the test opening.
- Run the match along the top edge **All smoke** must be drawn into the test opening if the clearance is satisfactory.
- If spillage occurs, wait a further five minutes and repeat the test.
- Repeat the test with doors open and with any extractor fans in other rooms in operation.
- If spillage is detected the cause must be discovered and the fault corrected, if the fault cannot be corrected, disconnect the fire from the gas supply and seek expert advice. Spillage can be caused by a restriction in the flue system, down draught or insufficient ventilation into the room where the fire is installed.

### ADVISE CUSTOMER THAT:

- The glass front of this fire acts as a dress guard, conforming to BS 1945 (1997) and satisfies the heating appliance regulations (1991) however; a fireguard conforming to BS6539 (1997) must be used to protect young children, the elderly, or infirm.
- The curing effect of heating the logs and other refractory components will cause an initial odour. This is due to the starch used in the manufacturing process and is non-toxic.
- Any debris should be cleaned from the appliance. A vacuum cleaner can be used but only after all the loose logs have been removed.
- The appliance should be serviced annually by a competent person in accordance with these instructions and the appliance checked for spillage in accordance with the method detailed in these instructions.
- Demonstrate changing the batteries.
- Demonstrate the lighting and extinguishing procedures to the user and the removal and refitting of the glass panel for cleaning. Refer to the user section of this booklet.
- If ventilation is fitted for any reason it must be checked regularly to ensure freedom from obstructions.
- **Hand these instructions over to the user along with the spare batteries and glass removal tool.**

# SERVICE INSTRUCTIONS

## SECTION TWELVE ANNUAL SERVICE

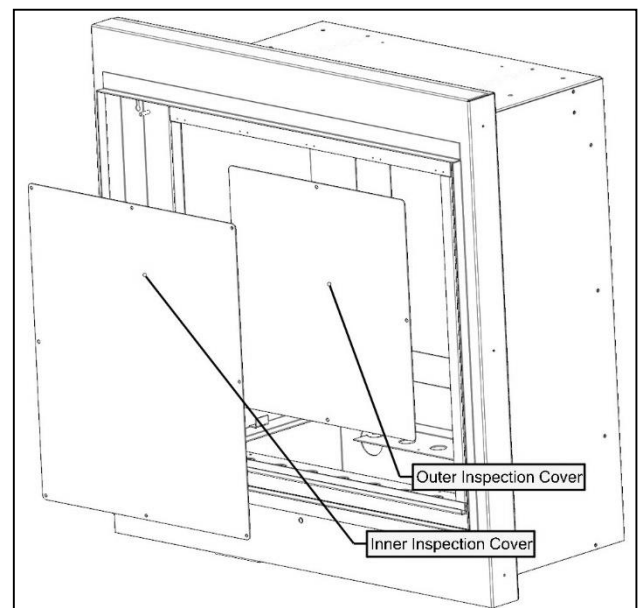
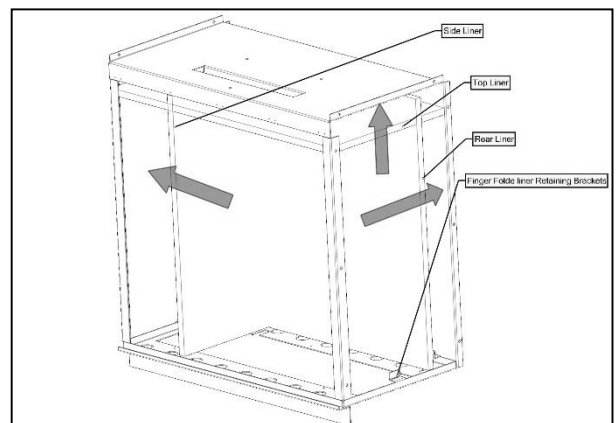
### GENERAL

- Servicing should be carried out annually by a competent person such as a Gas safe-registered person in accordance with the relevant regulations, to ensure the safe and correct operation of the appliance.
- Before commencing any service or replacement of parts, turn off the gas supply to the fire. After servicing check for gas soundness.
- When ordering spare parts please quote appliance name and serial number, these can be found on the data badge, which is located on the right hand side of the appliance behind the trim or fascia.
- At least once a year check for debris in the catchment area behind the fire and in the flue way.
- If soot has accumulated checks to establish cause rectify and clean flue or chimney accordingly.

**It is important that: -**

The chimney or flue is checked annually to ensure clearance of combustion products. This can be inspected by removing the inner firebox and removal of the inspection covers located on the back and top of the outer firebox. This can be obtained by doing the following.

- Remove the two side covers LH and RH which are held with magnets or 4 sided trim.
- Undo the two M4 nuts retaining the glass fixing bracket using the tool provided then pull clear and remove from location studs.
- Carefully lift the glass panel from within the bottom retaining slot.
- Remove the log fuel bed shapes.
- Lift out the air tray assembly from the location points within the shelf.
- Pull out the air grill and disconnect the battery holder from the lead and remove.
- Remove the two screw retaining the gas connection cover from within the burner shelf and remove cover. Shut down restrictor elbow and disconnect the 8mm inlet nut.
- Undo the three fixing screws from the burner tray and lift out burner tray assembly taking care not to damage the liners.
- Carefully bend down the 4 off finger folds located on the fire box shelf.
- Carefully remove the sides top and rear ceramic liners.
- Remove the 4 off fixing screws retaining the inner inspection plate and remove.
- Remove a further 4 off fixing screws retaining the outer inspection plate and remove.
- After inspection for clearance is completed, reassemble in reverse order.



## PILOT LINTING

Check pilot aeration holes for linting, use a vacuum cleaner nozzle taking care not to damage the pilot head.

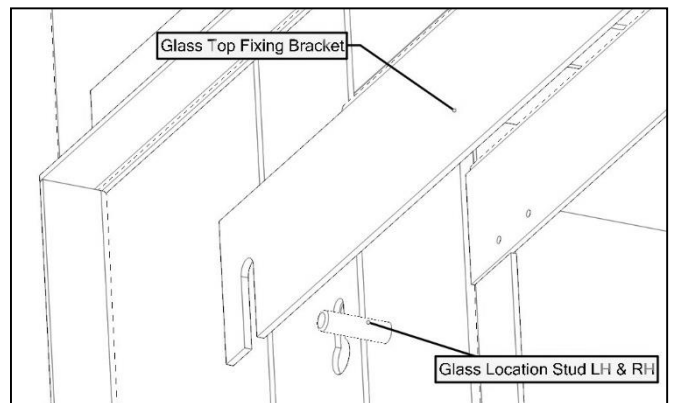
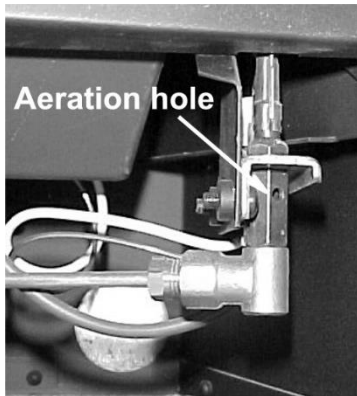
### **CLEANING: PILOT ASSEMBLY (With Fireplace frame fitted)**

(Before cleaning ensure that the appliance is turned off and cold)

In some instances you may experience ignition problems even when the appliance is new. This may be due to the aeration hole in the pilot body being partial blocked with dust, pet hairs, or other foreign matter. The source of this debris could be such things as carpet fibres, decorating debris or pet hair etc.

To gain access to the pilot please do the following.

- Remove the two side covers LH and RH.
- Undo the two M4 nuts retaining the glass fixing bracket using the tool provided then pull clear and from the location studs.
- Carefully lift the glass panel from within the bottom location slot.



- Remove the log fuel bed shapes and bark shapes.
- Lift out the air tray assembly from the location points within the shelf.

The pilot is located on the right hand side of the appliance, any debris in or around the aeration hole should be removed using the nozzle of a vacuum cleaner. It is advisable not to blow the debris into the hole as this may cause more of a restriction and not rectify the problem.

Note: - Take care when cleaning in this area so as not to damage the pilot assembly.

### **TO REMOVE THE BURNER TRAY**

- Remove RH and LH side covers (if fitted) undo glass fixing.
- Remove glass panel.
- Remove the loose fuel bed components.
- Remove air tray.
- Disconnect battery leads and remove appliance battery pack.
- Remove gas supply cover.
- Disconnect fire at inlet elbow and Undo the three burner tray fixing screws. Pull carefully forward and remove.
- For normal servicing the tray can be cleaned using a vacuum cleaner.
- Whilst the tray is removed vacuum the firebox if necessary.



## **REPLACEMENT OF GAS CONTROL**

- Follow the burner tray removal sequence.
- Disconnect the thermocouple from the rear of the gas valve.
- Undo the three compression nuts securing the pipes to the gas valve and remove the two screws fixing the valve to the bracket.
- Clean, service or replace gas valve.
- Re-assemble in the reverse order.
- Set the low gas rate using the adjustment screw on the rear of the valve.
- Turn on the gas supply, check for soundness and re-commission appliance.

## **REPLACEMENT OF INJECTOR**

- Follow the burner tray removal sequence.
- Undo the compression nut on the supply pipe.
- Unscrew the locking nut holding the injector on the chassis.
- Clean or replace the injector.

NOTE: -Do not use a wire or a drill to clean out holes. Refer to the appliance data section for details.

- Re-assemble in reverse order.

## **REPLACEMENT OF OXY-PILOT ASSEMBLY**

**NOTE:** If the pilot assembly is replaced it must be replaced by an identical unit from the same manufacturer and replaced as a complete unit.

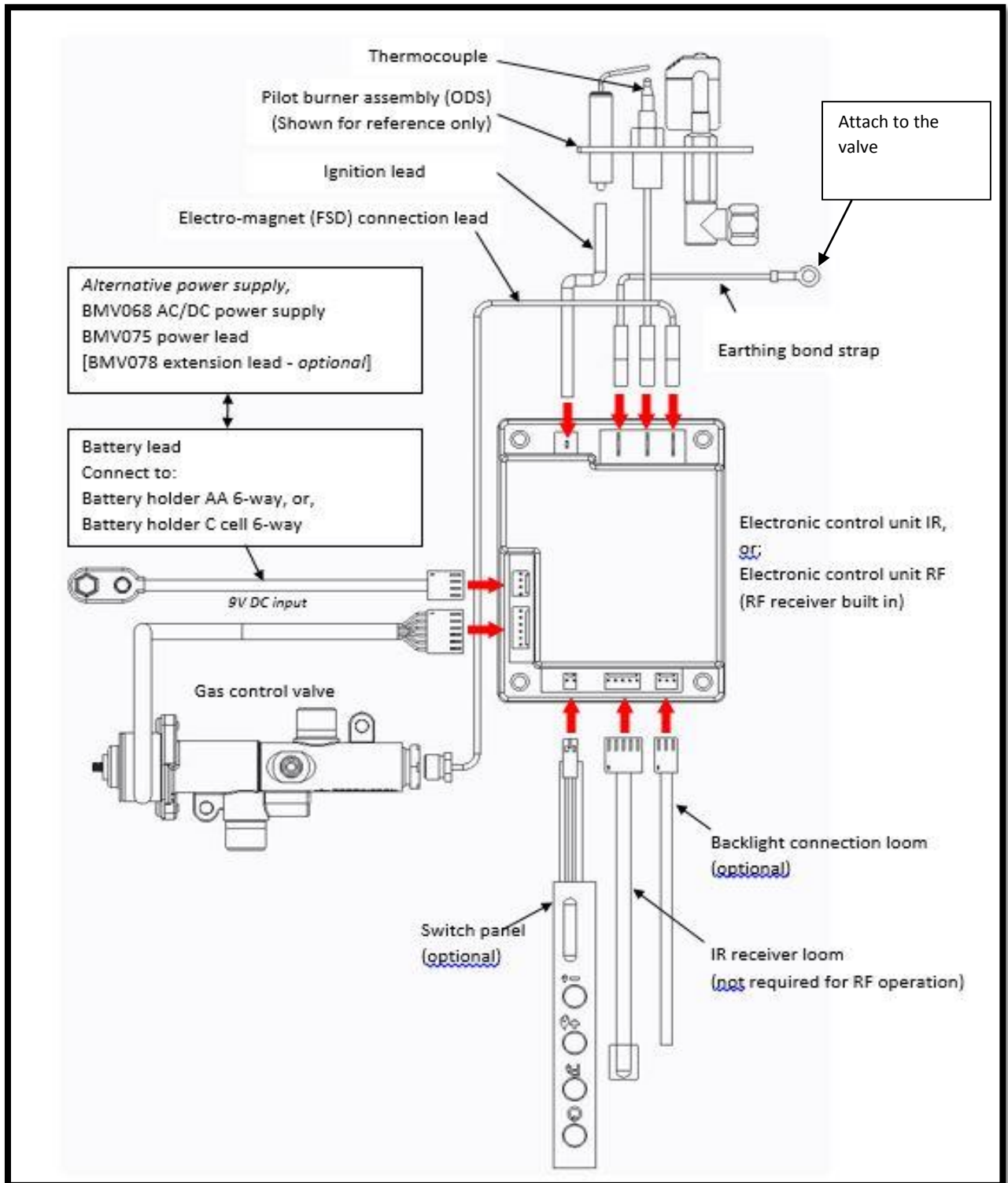
- Follow the burner tray removal sequence.
- Undo the compression nut on the supply pipe at the pilot.
- Carefully pull off the ignition lead.
- Disconnect the thermocouple at the end of the main control valve.
- Remove the cross headed nut holding the pilot to the chassis
- Carefully remove the pilot shield & oxy-pilot.
- Re-assemble in reverse order.

## **REPLACEMENT OF CONTROL UNIT (EDB)**

- Follow the burner tray removal sequence.
- Disconnect leads from control unit and remove 2 bolts.
- Re-assemble in the reverse order.

Turn on the gas supply, check for gas soundness and re-commission appliance.

## SECTION THIRTEEN Wiring Diagram



## SECTION FOURTEEN Short Spares List

Parts may vary/change due to development of products. A serial number should always be supplied when ordering parts to make sure you receive the correct part.

<b>Parts able to be ordered by customer</b>	
<b>Part Description</b>	<b>Part Number</b>
Handset	6598
Battery Holder	4490
Black Bark chippings	6462
Bark chippings	6461
Log Set (complete)	7222
Vermiculite Side Liner (2 required)	7227
Vermiculite Rear Liner	7226
Black Side Liner (2 required)	6364
Black Rear Liner	6365
Glass Panel	6004
<b>Parts that require a GAS SAFE engineer to order/fit</b>	
<b>Part Description</b>	<b>Part Number</b>
Silencer	5665
E.D.B / control board	6592
Remote valve	6590
HT/Ignition Lead	6646
IR Receiver eye	6595
Earth Lead	6593
Battery Lead	6596
Oxy pilot	7280
Burner Bar	4755





## GAS FIRE COMMISSIONING CHECKLIST

This Commissioning Checklist is to be completed in full by the competent person who commissioned the gas fire as a means of demonstrating compliance with the appropriate Building Regulations and then handed to the customer to keep for future reference.

Failure to install and commission according to the manufacturer's instructions and complete this Benchmark Commissioning Checklist will invalidate the warranty. This does not affect the customer's statutory rights.

Site Requirements	Yes	N/A
Was the chimney checked to ensure it only serves one flue/fire, has no obstructions and is continuous?		
Has any debris at the base of the chimney been removed?		
For brick chimney installations is there enough depth for 12 liters of debris, or precast flues 2 liters of debris? (see instructions for debris gap details)		
Have damper and register plates been removed or locked in the fully open position ensuring correct size of flue is maintained?		
If previously used for solid fuel has the chimney been thoroughly swept?		
If the chimney is pre-cast has the inside of the flue been checked for extruded cement / sealant which must be removed?		
Has the fireplace been checked for under-floor air supply which must be sealed off?		
Has the chimney been inspected prior to fitting the gas fire to ensure that it is in good condition?		
Has the structure of the chimney been checked for leakage using a smoke pellet test? (See BS5440-1 for details).		
<b>Ventilation</b>		
Does the installation require any additional ventilation requirements as detailed in the manufacturer's instructions?		
<b>Hearth Requirements- where fitted</b>		
Is the hearth constructed from non -combustible material?		
Is the hearth a minimum of 12mm thick with a minimum floor to top surface of 50mm? (BS5871) or as per manufacturer's instructions?		
Is the hearth for open fronted fires a minimum of 760mm wide and has 300mm projecting from the fire opening (BS6871) or to manufacturer's instructions?		
Mounting height (where applicable) has the fire been installed to the correct mounting height- as per manufacturer's instructions?		
<b>Firebox and Fuel Bed</b>		
Has the fuel bed, coals, pebbles etc. been fitted to manufacturer's instructions?		
<b>Gas Supply</b>		
Has an isolation tap/restrictor inlet elbow been fitted for servicing?		
Has the gas supply been thoroughly purged prior to connection to remove any debris?		
Has a gas tightness test been completed prior to breaking into the gas supply and following completion of installation?(IGEM/UP/1B)		
Record burner gas pressure reading? If only the supply pressure is available a gas rate must be undertaken.(GSIUR REG26/9C)		
Record dynamic inlet gas pressure (working pressure) reading (all gas appliances running)		
<b>Spillage test</b>		
Installation passes smoke match test with any extractor fans turned on (see manufacturer's instructions)		
<b>Installation</b>		
Has the gas fire been installed and commissioned in accordance with manufacturer's instructions?		
Has the fire been installed with the correct clearance to combustible materials, as per manufacturer's instructions?		
The operation of the appliance and controls have been demonstrated to the customer including battery replacement where applicable?		
The manufacturer's literature, including Benchmark Checklist and Service record has been explained and left with the customer?		
Has the appliance been registered with the Local Authority as detailed on the Gas Safe web site and is a legal requirement and forms part of the warranty?		
Customer's Signature: (To confirm satisfactory demonstration and receipt of manufacturer's literature)	Commissioning Engineer's Signature:	

\*All installations in England and Wales must be notified to be Local Authority Building Control (LABC) either directly or through a Competent Persons Scheme. A Building Regulations Compliance Certificate will then be issued to the customer.

# SERVICE RECORD



It is essential that your gas fire is serviced regularly and that the appropriate Service Interval Record is completed. Service Provider

Before completing the appropriate Service Record below, please ensure you have carried out the service as described in the manufacturer's instructions. Always use the manufacturer's specified spare part when replacing controls.

<b>SERVICE 01</b>	Date:
Engineer name:	
Company name:	
Telephone No:	
Gas safe register No:	
Comments:	
Signature	

<b>SERVICE 02</b>	Date:
Engineer name:	
Company name:	
Telephone No:	
Gas safe register No:	
Comments:	
Signature	

<b>SERVICE 03</b>	Date:
Engineer name:	
Company name:	
Telephone No:	
Gas safe register No:	
Comments:	
Signature	

<b>SERVICE 04</b>	Date:
Engineer name:	
Company name:	
Telephone No:	
Gas safe register No:	
Comments:	
Signature	

<b>SERVICE 05</b>	Date:
Engineer name:	
Company name:	
Telephone No:	
Gas safe register No:	
Comments:	
Signature	

Product	A-0393	A-0620	Serial No	NH (Ng)
ID Label	A-0581	A-0629	Prefix	QM (LPG)
Burner Tray / Box Assembly				
Top Liner Fitted				
Glass clamp (6367) + 2x fixings (4979)				
Complete Log Fuel Bed (7222)				
Grommet (1092)				
Glass Panel (6004)				
Air Tray (6372)				
Silicone Sealing Strip (4904)				
'AA' Cell Battery (12)				
Remote Control Hand Set (6598)				
Battery (2 x AAA)				
Battery Holder + 7mm Nut Spinner				
Additional Fixings (A-0411)				
Owners Book				
Data Badge				
Warning Label (1409)				
ID Label & Packing Labels				
Restrictor Plate (6012)				
Remote Reference card (6713)				
Serial Number				
Inspector				