

Owner's Manual

INCLUDES

User, Maintenance, Service, and Installation
Instructions



PARAGON BF STOVE REMOTE

ROOM SEALED INSET LIVE FUEL EFFECT GAS STOVE



Keep this booklet for service log and future reference

IMPORTANT



This appliance is guaranteed for 12 months subject to conditions. The 5 year extended parts warranty will only be valid if the annual service recommended in this manual has been completed and appliance has been registered online.

For use in Great Britain and Ireland.



Contents

EXTENDED FIVE YEAR PARTS WARRANTY	2
Benchmark Scheme	3
User instructions	5
SECTION ONE Important Information	5
SECTION TWO Introduction	7
SECTION THREE Operating the Appliance	7
SECTION FOUR Cleaning & Fuel Bed Laying	9
LOG BED LAYOUT	11
SECTION FIVE Replacement Parts	13
INSTALLATION INSTRUCTIONS	14
SECTION SIX Appliance Data	14
SECTION SEVEN Regulations and Warnings	16
SECTION EIGHT Siting the Appliance	17
SECTION NINE To Install the Appliance	20
SECTION TEN Assemble the Appliance	22
SECTION ELEVEN Check Operation of Fire	22
SECTION TWELVE Instruct and Advise the Customer	22
MAINTENANCE INSTRUCTION	23
SECTION THIRTEEN	23
SECTION FOURTEEN Short Spare's List	25
SECTION FIFTEEN Wiring Diagram (MAINTENANCE INSTRUCTIONS)	26
BALANCED FLUE GAS FIRE COMMISSIONING CHECKLIST	30
SERVICE RECORD	31

EXTENDED FIVE YEAR PARTS WARRANTY

In order to validate your extended 5 years parts warranty please read the Benchmark Scheme on the opposite page and ensure your installer has filled in the appropriate checklist.

This in no way reduces your statutory rights

Your warranty commences from the date of purchase and you must retain your receipt or invoice as proof of a purchase date.

THIS EXTENDED WARRANTY SPECIFICALLY EXCLUDES GLASS AND SOFT REFRACTORY COMPONENTS, THE BULB AND ANY BATTERIES.

Terms and Conditions

1. The appliance must be installed by a GAS SAFE registered person.
2. The appliance must be used in accordance with the user's instructions.
3. The appliance must be serviced annually by a GAS SAFE registered person.
4. The benchmark and service log must be correctly filled out and the record of annual services must be up to date and supported by receipts in each case.
5. This warranty is not transferable and relates to the original installation only.
6. The appliance has not been subjected to misuse or accident or been modified or repaired by any person other than the authorised employee or authorised representative of Charlton and Jenrick Ltd.
7. The registration form must be returned within 1 month of purchase.

Technical Help Desk 01952 200 444



Benchmark Scheme

Charlton and Jenrick Ltd is a licensed member of the Benchmark Scheme which aims to improve the standards of installation and commissioning of domestic heating and hot water systems in the UK and to encourage regular servicing to optimise safety, efficiency and performance. Benchmark is managed and promoted by the Heating and Hotwater Industry Council. For more information and the full code of practice please visit www.centralheating.co.uk

Please ensure that the installer has fully completed the Benchmark Checklist on the inside back pages of the installation instructions supplied with the product and that you have signed it to say that you have received a full and clear explanation of its operation. The installer is legally required to complete a commissioning checklist as a means of complying with the appropriate Building Regulations (England and Wales).

All installations must be notified to Local Area Building Control either directly or through a Competent Persons Scheme. A Building Regulations Compliance Certificate will then be issued to the customer who should, on receipt, write the Notification Number on the Benchmark Checklist.

This product should be serviced regularly to optimise its safety, efficiency and performance. The service engineer should complete the relevant Service Record on the Benchmark Checklist after each service.

The Benchmark Checklist will be required in the event of any warranty.

It is a requirement that the gas fire is installed and commissioned to the manufacturer's instructions and the data fields on the commissioning checklist completed in full.

To instigate the guarantee, the gas fire needs to be registered with the manufacturer within one month of the installation.

To maintain the guarantee, it is essential that the gas fire is serviced annually by a Gas Safe registered engineer. The service details should be recorded on the Benchmark Service Interval Record and left with the householder.

Important

For future reference we suggest you record the following details here, and keep the receipt as proof of purchase. This information may be asked for when you contact the helpdesk.

MODEL:	PARAGON BF GAS STOVE REMOTE	Serial No.	
---------------	----------------------------------------	-------------------	--

This information can be found on the label attached to the packaging and on the data badge, which is located on the base of the appliance behind the control cover.

Retailer Name:	
Address:	
Date Of Purchase:	

Register your appliance online today to active your warranty



User instructions

SECTION ONE Important Information

Consumer Protection Information

As manufacturers and suppliers of heating products, we take every care, as far as is reasonably practicable, that these products are so designed and constructed as to meet the general safety requirement when properly used and installed. To this end, our products are thoroughly tested and examined before despatch.

IMPORTANT NOTICE: Any alteration that is not approved by the appliance manufacturer could invalidate the approval of the appliance, operation of the warranty and could affect your statutory rights.

Health and Safety Notice

Important

This appliance could contain some of the materials, indicated below, that could be interpreted as being injurious to health and safety. It is the users / installers responsibility to ensure that the necessary personal protective clothing is worn when handling these materials, see below for information.

Artificial Fuels, Mineral Wool, Insulation Material, Refractory/Ceramic Fibres, Glass Yarn - *may be harmful if inhaled, may be irritating to skin, eyes, nose and throat.*

When handling *avoid inhaling and contact with skin or eyes. Use disposable gloves, facemasks and eye protection. After handling wash hands and other exposed parts. If a vacuum is used for cleaning the coals or cleaning after servicing / installation it is recommended that it be of the type fitted with a HEPA filter.*

Disposal of refractory/ceramic materials. *To keep dust to a minimum these materials should be securely wrapped in polythene and be clearly labelled 'RCF waste'. These materials are not classified as 'hazardous waste' and should be disposed of at a site licensed for the disposal of industrial waste.*

- The PARAGON BF REMOTE GAS STOVE is a freestanding room sealed decorative fuel-effect gas appliance.
- The PARAGON BF REMOTE GAS STOVE is available in **Natural Gas (G20 @ 20 mbar)** and **L.P.G (G31 @ 37 mbar)**. The markings (**G20** for natural gas and **G30** for L.P.G) on the packaging and the data badge specify the gas for which the appliance has been factory set. **Note: These appliances should only be used on the appropriate gas specified. They are not suitable for conversion from one gas to the other.**
- This appliance **must not** be installed into a natural draught flue or chimney.
- Failure to install appliance correctly could lead to prosecution.

In GB (Great Britain), the appliance must be installed and serviced by a competent person i.e. Gas Safe-registered, in accordance with the GAS SAFETY (INSTALLATION AND USE) REGULATIONS, The Building Regulations (or The Building Regulations (Scotland) or The Building Regulations (Northern Ireland)) and The Current I.E.E. Wiring Regulations, if appropriate.

In IE (Ireland), the appliance must be installed and serviced by a competent person and installed in accordance with the current edition of I.S.813 Domestic Gas Installation, the current Building Regulations and the current ETCI rules for electrical installation, if appropriate.

- This appliance does not require a chimney, but **must be** installed against an outside wall.
- It is important that the flue terminal is regularly checked and kept clear at all times.
- If the terminal is accessible to people (i.e. less than 2m above a walkway, balcony etc.) the terminal guard must be fitted to prevent access to the flue outlet, which becomes hot when the fire is in use.
- All combustible material must be removed from behind the fire and fire trim.
- As the PARAGON BF REMOTE GAS STOVE is a room sealed appliance (i.e. air for the combustion process is taken from outside the room) no purpose built ventilation is requires.
- The PARAGON BF REMOTE GAS STOVE is designed and tested to meet the requirements of the European Standard EN 613.

The PARAGON BF REMOTE GAS STOVE is battery operated; therefore no mains electrical supply is required. Power to the appliance is provided by 6 high power alkaline 1.5V batteries (AA size) (a spare set of 6 AA batteries is supplied with the appliance); these batteries can be changed to Nickel Metal Hydride rechargeable batteries providing they have a minimum capacity of 2200 mAh. A set of 6 high power alkaline 1.5V batteries (AA size) would give in the order of 200-380 operations while 6 rechargeable batteries when fully charged would give approximately 200-300 operations. These figures are only given for guidance and may vary depending on how the appliance is used and the battery manufacturer and quality.

Using the standby facility when the appliance is switched off for short periods can extend battery life. The standby facility switches off the mains gas supply to the appliance but the pilot remains alight.

An audible repeated bleep warning indicates that the appliance batteries need changing or charging (if rechargeable batteries have been used).

Important: Batteries should be changed or recharged as soon as possible as the appliance will not light if the battery power gets too low.

- Although the PARAGON BF REMOTE GAS STOVE is fitted with a glass front which acts as a dress guard it is strongly recommended that a fireguard should be used for the protection of children, the elderly or infirm. Fireguards should conform to B. S. 6539 (1984) (Fireguards for use with solid fuel appliance).
- The slot located at the top of the PARAGON BF REMOTE GAS STOVE are the hot air outlets and as such must not be obstructed in any way (particularly by clothes or other combustibles). In addition the base of the appliance should not be obstructed by such items as this may adversely affect the performance of the appliance.
- Care should be taken to prevent any damage being caused to surrounding soft furnishings or decoration. Many wall coverings may become discoloured if placed too close to the appliance, it is strongly recommended that any proposed wall covering intended for use immediately above the appliance should be tested in the hottest position (immediately above) first. Run the fire on high over a few days
- All combustible material must be removed from behind the fire.
- The first time you light your new appliance a smell may occur due to its new condition. This is quite normal and will soon disappear after a few hours use at maximum setting (open a window until the smell disappears).
- The appliance **MUST NOT** be used if the glass panel is not correctly fitted or if this panel is cracked or broken.
- Any debris should be cleaned from the appliance. A vacuum cleaner can be used but only after all the loose coals have been removed.
- ***Prior to removing or cleaning the fuel bed components refer to the 'Health and Safety Notice' located on page 3 of this booklet.***
- The appliance should be serviced annually by a competent person i.e. a **GAS SAFE registered engineer** in accordance with these instructions.
- The glass or any part of the appliance **MUST NOT** be cleaned or wiped whilst the appliance is **HOT**, to do so could be dangerous and may damage the paintwork of the appliance.

SECTION TWO Introduction

- The PARAGON BF REMOTE GAS STOVE is a freestanding room sealed live fuel-effect gas appliance designed for use in locations that do not have a conventional chimney. The appliance must be installed against an outside wall because the air to support combustion is taken from the outside and the products of combustion are expelled to the outside.
- The appliance incorporates a safety device in the form of a FLAME SUPERVISION DEVICE, which constantly monitors the flame and will cause the gas to be switched off if the flames are extinguished for any reason. **THIS DEVICE MUST NOT BE OVERRIDDEN.** If this situation occurs on a regular basis have the appliance checked by a qualified engineer. The problem may be due to a blocked or restricted flue.
- Before removing the glass or fuel bed for cleaning the fire should be turned off, and left to cool down.
- **NOTE:** In use some discoloration of the components will take place in the combustion box, this is normal, but can be kept to a minimum if the fuel bed is placed correctly (i.e. after cleaning). See Section 4.
- As with all heating appliances certain areas (Working Surfaces) become very hot when the appliance is in use. With this appliance all surfaces are considered working surfaces. No item should be placed on top of the appliance and care should be exercised when placing items close by.

NOTE: DURING NORMAL USE WATER DROPLETS MAY BE SEEN UNDERNEATH THE APPLIANCE

This is perfectly normal and the water will evaporate once the fire is at operating temperature.

SECTION THREE Operating the Appliance

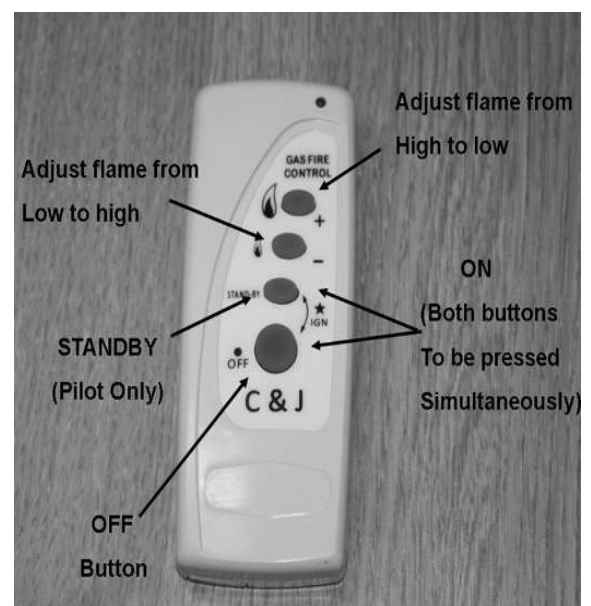
Do not use this appliance without the glass panel fitted, or if this panel is cracked or broken.





WARNING: If the burner or pilot is extinguished for any reason, do not attempt to re-light the pilot for at least three minutes.

Before attempting to operate the appliance check that nothing has been placed in front of the appliance that may interfere with the remote sensor operation.

To light the appliance using the remote hand set:

- Point the remote control hand set in the direction of the appliance and simultaneously press the buttons marked 'off' and 'standby'. Continue to hold in these two buttons until a 'bleep' is heard (approximately 2-3 sec.) and then release these buttons. The appliance will automatically go through the ignition sequence and the pilot should ignite. Once the pilot is alight the appliance will automatically go to the high setting (approximately 20-25sec). If the ignitor stops sparking and the pilot fails to light, repeat this procedure.



- B. The appliance can be adjusted up or down by pressing the appropriate button  (low setting) or  (high setting). There are 5 heat settings and the fire will give a double bleep when the maximum or minimum heat setting is reached. To switch off the appliance press the OFF  button or if the appliance is to be switched off for a short period it is recommended that the 'standby' button be used. This switches the main burner off but leaves the pilot on and will extend battery life.
- C. The appliance can be switched off without using the hand set by removing the appliance batteries. When the batteries are removed there will be a delay (up to 3 minutes) after which double bleeps may be heard and shortly after the appliance will extinguish. Ensure that the battery is reconnected once the fire has been extinguished. The appliance cannot be operated without the use of the handset. If the fire fails to light or extinguishes for any reason, it will be necessary to re-set the fire. This can be done by pressing the off  button then following the normal lighting procedure.

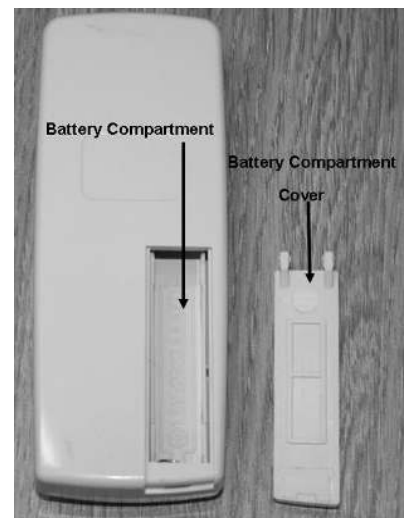
NOTE: If the fire is extinguished for any reason wait 3 minutes before relighting.

Low Battery Indication (Hand Set)

If while pressing any of the buttons on the remote hand set the low battery indicator lamp either stops flashing or appreciably slows then the battery should be changed.

To Replace Batteries In Hand SET (AAA 1.5V X2)

Remove the cover from the rear of the handset and fit replacement batteries.



LOW BATTERY INDICATION (APPLIANCE)

If you hear a repeated 'bleep' sound come from the appliance this indicates the appliance battery pack is low and should be changed as soon as possible. The appliance will continue to work normally for a short period but if the warning is ignored you may experience difficulty lighting the appliance or the appliance may automatically switch off for no apparent reason.

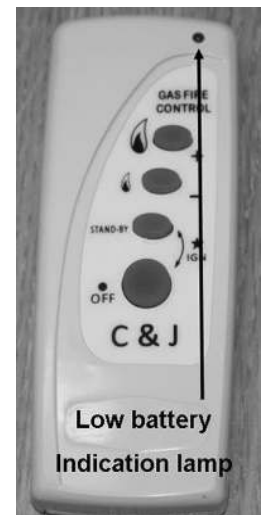
NOTE: The appliance cannot be used when the battery is completely flat.

To replace appliance batteries (6 high power alkaline AA 1.5V)

(Rechargeable batteries can be used providing they are a nickel metal hydride type 1.5V AA with a minimum capacity of 2200mAh).

- A. The battery power pack or holder is located at the left hand side of the burner; carefully slide the battery holder forward and replace the six high power alkaline AA batteries as a complete set or recharge as appropriate. **WARNING, batteries will overheat if fitted incorrectly, when fitting the batteries ensure that they are fitted as per the marking on the rear of the holder (i.e. minus of battery against spring).**

Important: Ensure that the battery pack is placed on the base of the appliance to the left hand side of the burner



SECTION FOUR Cleaning & Fuel Bed Laying

Warning: -Before you clean any part of the appliance ensure that the appliance is switched off and cool.

CLEANING: BLACK PAINTED SURFACES

- These surfaces should be dusted regularly and any marks removed with a soft cloth.
- Abrasive or chemical cleaner should never be used.

CLEANING: GLASS PANEL

From time to time it may be necessary to clean the glass panel.

We recommend you use a Ceramic Hob Cleaner (brands such as **HOB BRITE** and **VITRO CLEAN** have been found to be **acceptable**) these are available from most leading Supermarkets.

Remove the glass panel as follows:

- Turn the door handle 90° counter clockwise and open the door
- Remove the two side glass brackets with the provided spanner.



- While supporting the glass panel, remove the 2 nuts securing the bottom of the glass frame, pull the glass frame forwards at the bottom and gently pull downwards.
- Lay the glass panel down on a flat working surface on top of an old opened newspaper with the side to be cleaned uppermost.

Follow the Instructions on the Hob Cleaner Bottle.

On stubborn stains (where the appliance has been used for a long period without the glass panel being cleaned), use a new **Brillo Pad** well wetted with the Hob cleaner applied directly to it. Ensure all the residue of the cleaner are removed with a damp cloth and the glass panel is completely dry before fitting to the appliance.



Note: - If the fuel bed has not been placed correctly, causing the gas flame to contact the glass this may result in glass staining that cannot be removed by cleaning.

Re-assemble in reverse order ensuring the seal is compressed evenly at the top and bottom

Close the door and secure with the handle

CLEANING AND REPLACING Fuel Bed Parts

Important: - Refer to the 'Health & Safety Notice located on page 3 of this booklet before cleaning or replacing any refractory material.

Use only the Fuel Bed part provided NO OTHER FUEL BED PARTS SHOULD BE ADDED to the appliance

If any Fuel Bed Parts are broken then they must be replaced before the appliance is used.

The fuel bed parts are delicate and should be handled with great care.

The loose part should be removed for cleaning. They can be brushed very gently with a soft brush to remove dust or any deposits.

A vacuum cleaner may only be used after all the loose coals have been removed.

NOTE: During operation some sooting will be evident on the fuel bed whether running on the high or low setting. This may be reduced by running on the opposite setting for 15 minutes prior to switching the fire off i.e. if the fire is running on high then turn to low for 15 minutes before turning off. This will not eliminate all soot but helps keep it to a minimum.

LOG BED LAYOUT

The Log set as shown consists of:

- Front Matrix
 - Rear Matrix
 - 5 x Logs as shown
-
- The Front Matrix is located as shown in front of the burner



- The Rear Matrix is located so that it fits behind the burner (**ensure it is not placed over the burner**)



- When positioning the rear matrix be careful not to cover the burner ports



- Position the Logs as shown.



- That completes the Log fuel bed assembly
- Go to section eleven to complete the appliance assembly
- Ensure the glass panel and other associated parts are fitted before lighting the appliance

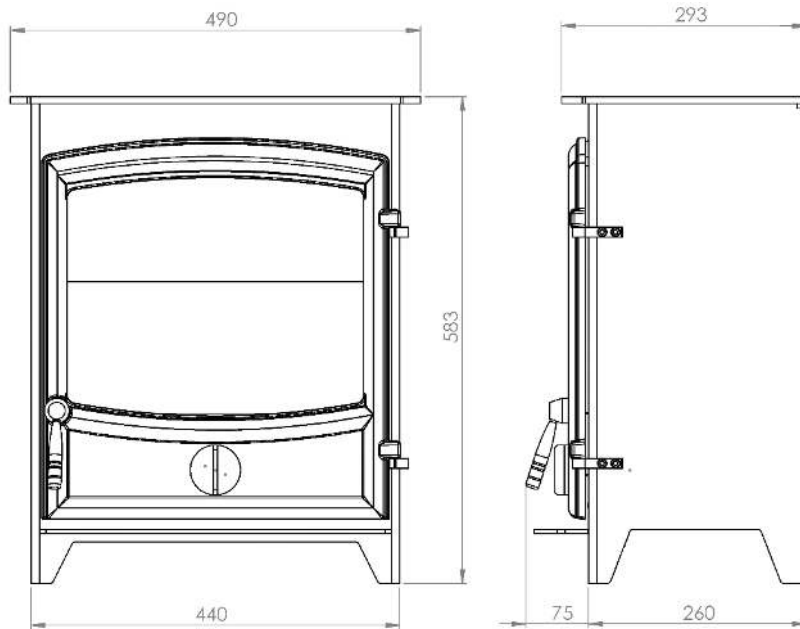
SECTION FIVE Replacement Parts

The only user removable parts are,

- Glass panel frame
- Refractory fuel bed components
- Batteries

INSTALLATION INSTRUCTIONS

SECTION SIX Appliance Data



Overall dimensions: Height 583 mm

Width 490 mm

Forward Projection: 335 mm

Weight: 38.5kg

37kg

Flue Length and duct length: 350mm (minimum) to 970mm (maximum)

Standard lengths supplied with fire 2 x 535mm. Additional 535mm & 1m tubes supplied as optional extras. (No bends should be fitted in the flue pipe)

Injector Tips 1x 360 tip (5.4kw) Natural Gas

1 x 116 (4.9Kw) L.P.G

Pressure Test Point Location: Gas inlet elbow

Gas Connection: 8.0mm O/D, tube.

Data Badge Location: On inside face of the door

MODEL	NG (G20)	LPG (G31)
Category of appliance	C _{II}	C _{II}
NO _x Class	3	5
Efficiency Class	1	1
Gas Category	I _{2H}	I _{3P}
Gas Type	G20 Natural Gas	G31 L.P.G
Gas Pressure +/- 1.0mbar	20 mbar	37 mbar
Gas Input (Max)	5.4 kW Gross	4.9 KW Gross
(Min)	2.4 kW Gross	2.4KW Gross
Injectors size	360	116

NOTE: The efficiency of this appliance has been measured as specified in BS EN613-2001 and the result is 79.14. % for 5.4kw natural gas and 79.14. % for 4.9kw L.P.G the gross calorific value of the fuel has been used for this efficiency calculation. GasTec have certified the test data from which it has been calculated. The efficiency value may be used in the UK Government's Standard Assessment Procedure (SAP) for energy rating of dwellings.

SECTION SEVEN Regulations and Warnings

- This appliance must only be installed in Great Britain or Ireland.
- The appliance is available in natural gas and L.P.G.
- Confirm that the appliance is suitable prior to installation (*G20 for natural gas and G30 for L.P.G*) (refer to data badge on base of appliance). *Note: the appliance should only be used on the appropriate gas specified. It is not suitable for conversion from one gas to the other.*
- This appliance must be installed on a suitable outside wall.
- No special ventilation bricks or vents are required into the room containing the appliance.
- ***In GB (Great Britain)***

It is the law that all gas appliances must be installed by a competent person; i.e. a GAS SAFE registered installer, in accordance with the current Gas Safety (Installation and Use) Regulations (as amended), all relevant parts of the local and national building regulations and all relevant recommendations of the current British Standards. Failure to do so could lead to prosecution.

The following are the relevant codes of practice and British Standards: -

B.S. 5871 PART 2

B.S. 5440 PART 1

B.S. 6891

B.S. 1945

Note:-This appliance must be installed to current versions of the above standards and include any relevant amendments.

The Building Regulations issued by The Department of the Environment.

The Building Standards (Scotland) (Consolidated) Regulations issued by The Scottish Development Office.

- ***In IE, (Ireland)***

The appliance must be installed by a competent person and installed in accordance with the current edition of I.S.813 Domestic Gas Installation, the current building regulations, and the current ETCI rules for electrical installation, if appropriate.

WARNINGS

- As this appliance has components, which get very hot as with all such fires, it is recommended that a fireguard should be used for the protection of children, the elderly, or the infirm. Fireguards should conform to B.S.6539 (1984) (Fireguards for use with solid fuel appliances).
- During initial use, an odour may be evident. This will soon disappear if the fire is run on its maximum setting for a few hours.
- Care must be taken to prevent any damage being caused to surrounding soft furnishing or decoration, e.g. wall coverings may become discoloured if placed too close to the appliance.

SECTION EIGHT Siting the Appliance

GENERAL REQUIREMENTS

To minimise the risk of cracking due to heat expansion the use of a 3 – piece back panel is recommended

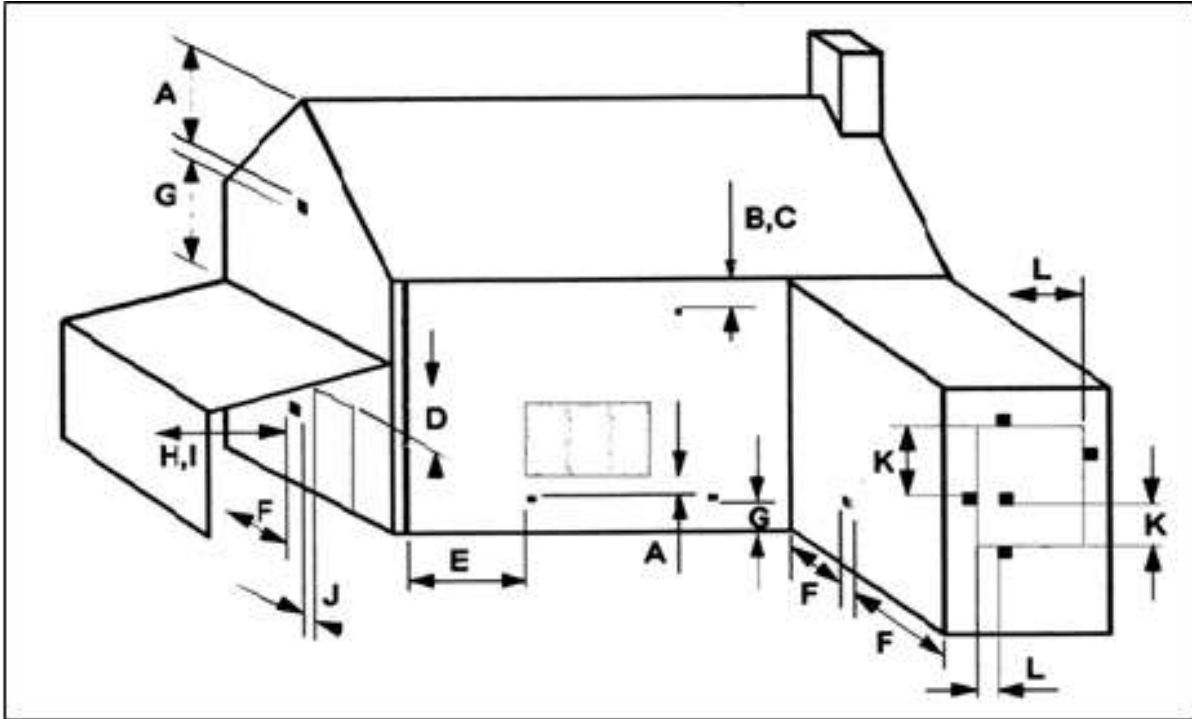
- The back panel of the surround must have a cut-out within the maximum and minimum dimensions as shown.
- Ensure that gas supply is suitably sited.
- A non-combustible hearth must be provided beneath the appliance if the appliance. The hearth must have a minimum thickness of 12mm and the perimeter 50mm above floor level. The hearth must extend 150mm either side of the appliance and must project forward a minimum of 100mm in front of the appliance.
- The minimum clearance from the hearth (base of appliance) to the underside of a combustible shelf should be determined using the shelf chart.
- Minimum width between vertical sides of combustible surround should not be less than 800 mm provided fire is central to the surround and sides do not project more than 150 mm. When vertical side forward projection is increased by 12.5 mm add 50 mm to inside width of surround.
- Check with the supplier or manufacturer that the surround meets 150°C minimum rating (attention should especially be given to man made materials such as resin).
- When installing in a timber framed dwelling reference must be made to the specific installation requirements stated in **Section 10 Installing The Appliance In Timber Framed Dwelling**.

***Please note - Appropriate measures should be taken when installing into a working flue system i.e. out through an existing chimney ***

- The flue and air duct length must be between 350mm to 970mm. The fire is supplied with 2 standard lengths of 535mm. The flue and air duct must not be adapted in anyway and must be in one continuous length. To install the appliance with the maximum flue lengths you will need to order **TWO** additional 1 meter lengths
- The flue outlet must terminate on a suitable outside wall.
- The minimum flue terminal clearances, which must be maintained, are as shown below.

A. Directly below an openable window or other opening. E.g. air brick	300mm
B. Below gutters, soil pipes or drain pipes.....	300mm
C. Below eaves.....	300mm
D. Below balconies or car port roofs.....	600mm
E. From vertical drain pipes and soil pipes.....	75mm
F. From internal and external corners.....	300mm
G. Above ground, roof or balcony level.....	370mm
H. From a surface facing the terminal.....	600mm
I. From a terminal facing the terminal.....	1200mm
J. From an opening in a car port into a dwelling e.g. door, window, etc.....	1200mm
K. Vertically from a terminal on the same wall.....	1500mm
L. Horizontally from a terminal on the same wall.....	300mm

Note: These dimensions are taken from the center of the circular flue outlet.



Distances from NON-combustible materials:

The stove can be recessed in a suitable sized non-combustible fireplace but a permanent free air gap of at least 50mm must be left around the sides and top of the stove to obtain reasonable heat output and for access to the stove for removal and maintenance. A clearance of 150mm will give a better heat output

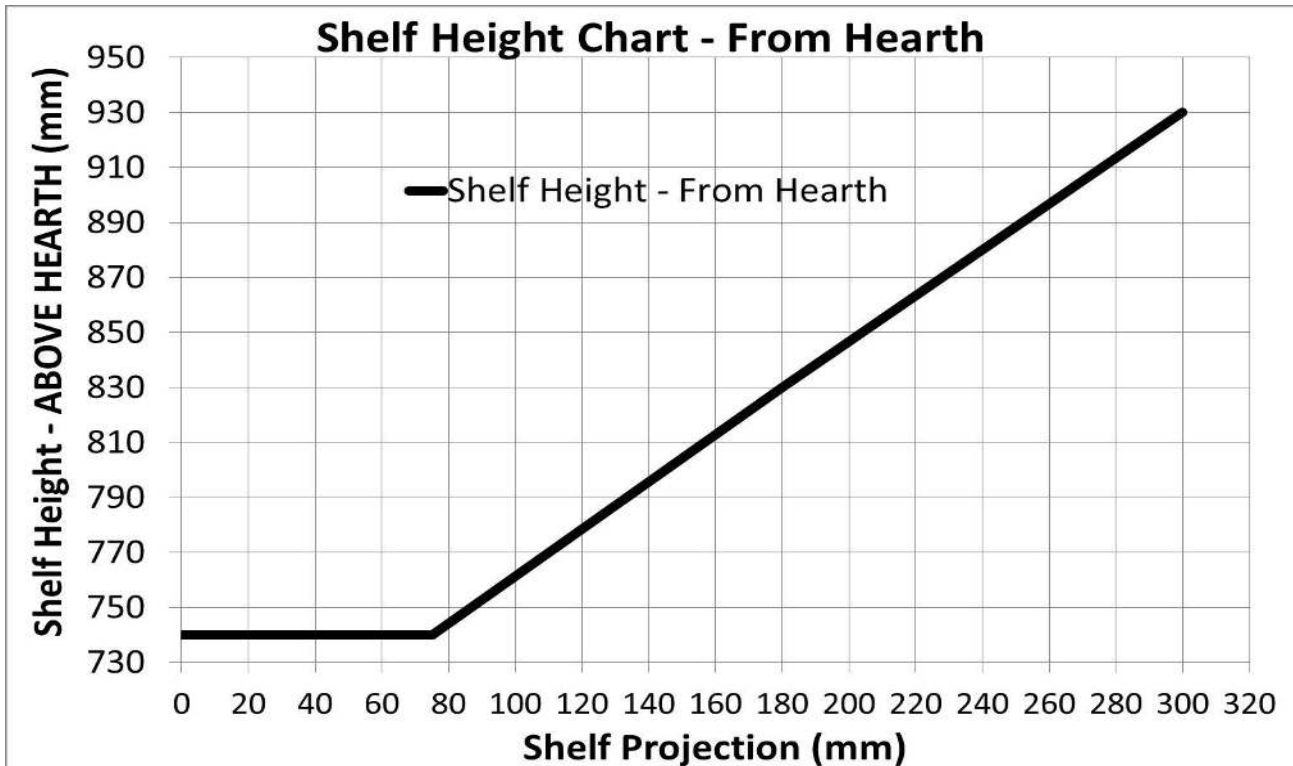
When installing in a timber framed dwelling reference must be made to the specific installation requirements stated in **Section 10 Installing the Appliance in Timber Framed Dwelling**).

In addition it is strongly recommended that any furniture or other combustible materials are kept at least 900mm clear from the front of the stove.

Due to the fact that combustible shelves, timber fireplaces and beams have potentially thousands of possible configurations in conjunction with stoves outset or inserted partially or fully into chambers, it is not possible to give firm guidance on dimensions to these features. As a guideline, materials that are in 'line of sight' to the stove are more likely to overheat due to direct radiation from the stove body than materials that are not in 'line of sight' (e.g. with stove fully inside a chamber). Materials above the stove are more likely to overheat than materials alongside or below. A guideline limiting temperature for solid timber (not surface finishes) is approximately 80-85 degrees C with a normal ambient room temperature. Temperatures of combustible materials can be substantially lowered with a simple heat shield constructed of a non-combustible material and small air gap between the shield and combustible material.

Clearance to Shelf

Minimum clearance from hearth to underside of combustible shelf should be 740mm provided the shelf depth is 75mm (3"). This gives a minimum clearance above the appliance of 150mm. For a shelf of 150mm (6") the minimum height above the hearth must be 800mm. This will give a minimum clearance above the appliance of 220mm. For other depths refer to the shelf chart.



Clearance to Sides of Fire

Minimum width between vertical sides of combustible surround and the sides of the stove should not be less than 300mm provided fire is central to the surround and sides do not project more than 50mm. When vertical side forward projection is increased by 12.5 mm add 50 mm to inside width of surround.

THERE ARE TWO TYPES OF INSTALLATION

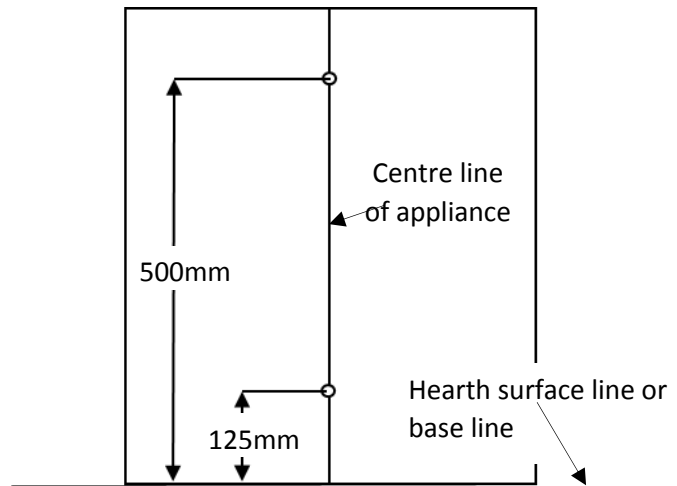
- With a dummy chimneybreast constructed forward into the room to accommodate the stove creating an inglenook feature. This depth can be reduced if a deep rebated surround is also used the rebate depth can be deducted from the dummy breast dept.

Any surround used must meet the specification stated later in this section. Prior to installing the appliance all combustible materials must be removed from the rear faces as described in Section 10.

SECTION NINE To Install the Appliance

INSTALLING THE APPLIANCE ONTO CAVITY WALL (When installing in a timber framed dwelling reference must be made to the specific installation requirements stated later in this **Section Installing The Appliance In Timber Framed Dwelling**’).

- Ensure it is a suitable outside wall constructed of non-combustible materials and that the flue position meets the requirements previously described in **Section 8**.
- Mark a horizontal line on the wall at the intended hearth surface or appliance base height. The skirting board must be cut away from behind the fire.
- Mark a vertical line on the wall at the intended centre of the appliance up from the horizontal base line for a height of approximately 575mm.
- Mark three short horizontal lines so they cross the centre line, one at 52mm one at 125mm and one at 510mm above hearth level line. These are the centre points for the gas entry, air duct and flue holes.
- If the gas supply is taken from outside at the 52mm vertical line mark the position for the gas position 180mm left of the centre line.
- Using a long masonry drill, make two pilot holes completely through the wall, ensure the holes are drilled accurately at the centres and square to the wall both horizontally and vertically at the cross points previously marked. If the gas supply is from outside drill the third hole large enough to accommodate the size sleeve you intend to use.
- Using 125mm (5”) core drill, cut two holes following the pilot holes, drill from the outside all the way through the cavity.
- Remove any cavity insulation from the core holes and for a further 100mm into the cavity gap.
- Pack “**Rockwool**” around the opening into the cavity for a depth of 100mm.
- Lay the hearth if required so that it is positioned correctly to the horizontal line and central to the vertical line.
- Position and fix the back panel and surround if required.
- Position the stove against the wall or back panel in its final position.
- Pass a tape measure through the core-drilled holes and record the distance from the back of the spigots to the surface of the outside wall. **Increase** both the recorded distances by **15mm** each, and cut two lengths from the 100mm diameter pipes ensuring they are cut square and free from burs.
- Position and seal the pipes to their respective spigots on the rear of the appliance (use flue seal or fire cement to ensure airtight seal, it must not obstruct the flue).
- Fit the outer wall terminal plate, with the “**Rockwool**” gasket sandwiched between it and the wall, with the double spigot at the top so that it seals to both the flue pipe and the air duct, (use flue seal or fire cement to ensure airtight seal).
- Drill through the four holes in the outer wall terminal plate and fix back to the wall using plugs and screws.
- Position the outer terminal cover and fix to wall terminal plate with the four screws provided.
- If the flue outlet is fitted below 2m from the floor or a balcony then the flue guard must be fitted.
- Complete the gas connection (see connecting the gas supply later in this manual).



TIMBER FRAMED DWELLING

This method allows for installation in timber frame buildings. Where removal of any part of the inner timber leaf of the wall is involved the structural integrity of the wall must be maintained and the advice of your local Building Control Department should be sought. If the property is under N.H.B.C. cover, it is advised that their advice should also be sought. Reference should be made to the British Gas Publication DM2 "Guide for Gas Installations in Timber Frame Housing" or GAS SAFE "Gas installations in Timber Frame Buildings" ISBN1-902632-30-3

Special attention must be paid to the location of the studwork frames of the inner leaf and the appliance positioned accordingly. Electrical cables and pipework that run within the inner timber leaf must also be located and taken into account when positioning the appliance.

The following methods of installation may be adapted for use in timber frame buildings providing extra care is taken to protect combustible materials from contact with hot surfaces.

- An insulation material (20mm "Superlux" or equivalent) must protect all combustible surfaces (including plasterboard) situated behind the appliance
- Where the duct pipes pass through the inner timber leaf concentric holes 200mm diameter should be cut around each duct pipe, allowing a minimum 50mm air gap all round each duct pipe. A non-combustible sleeve 200mm diameter must be fitted to these clearance holes.
- To ensure that any condensation formed on the duct pipes does not drip on to the inner wall a length of galvanised wire must be wrapped around each flue pipe and secured in position by twisting the ends together. Ensure that the twisted ends are located at the bottom of the pipes and the wire is centrally located within the cavity.
- The vapour barrier on the back of the inner timber leaf should be carefully cut and fixed to prevent ingress of damp into the plasterboard layer.

CONNECTING THE GAS SUPPLY

TURN OFF ANY GAS APPLIANCES THAT ARE FED BY THE METER AND ISOLATE THE GAS SUPPLY BY TURNING OFF AT THE METER.

- The front lower panel of the stove is removable to aid the gas connection to be made.
- Connections may be made from the front of the appliance from either the left or the right in 8mm-dia. pipe or a concealed connection from the rear of the appliance.
- An isolating cock is fitted in the supply feed to the fire to facilitate servicing. It may be rotated for right gas connection.
- When a concealed gas fitting from the rear is required it is necessary to route the pipe to the left side of the unit, taking into account the requirements of BS 6891 1988 dealing with enclosed pipes.
- Any part of the installation pipe work that passes through the cavity wall must be enclosed in a gas tight sleeve. It must be sealed at the point at which the sleeved installation pipe enters the fire (The Gas Safety (Installation and Use) Regulations Certificate of exemption number 1 of 1996). Where the pipe enters the fire the outer sleeve must be sealed to the grommet and the pipe must be sealed to its outer sleeve using suitable mastic.

CHECKING GAS TIGHTNESS

Batteries must be connected before proceeding with any tightness testing

- Complete gas connection to the fire and check for gas tightness in accordance with current codes of practice.

SECTION TEN Assemble the Appliance

- Position the refractory fuel bed components as described in section four of this manual, it is important that the fuel bed is positioned exactly as described to ensure the correct operation of the appliance. Badly positioned fuel bed components may result in the gas flame being driven forward onto the glass and permanently marking it.
- Special attention should be paid to the routing of the remote eye lead to ensure it does not touch the underside of the burner.
- Slide the top of the Glass Frame under the Glass Frame Bracket on the fire and centralise the slots over the two fixing studs. Start the nuts on these two studs
- Fit the two side clamps and secure with the hex nuts supplied.
- Tighten the four nuts up evenly ensuring that the glass compresses the seal on all four sides.
- Close stove door and secure with handle.
- Position the removable top plate and ensure it sits level and does not rock, adjust the adjustment bolts to suit.

SECTION ELEVEN Check Operation of Fire

CHECK BURNER PRESSURE AND GENERAL OPERATION

- Remove the screw from the pressure test point on the inlet elbow and fit a pressure test gauge.
- Purge the air from the appliance by operating the appliance (see Section 3). The appliance will spark for approximately 20 second at which point if no ignition is detected the appliance will go to lock out and you must repeat the ignition procedure.
- Check that the electrode is sparking at the gap between the thermocouple tip and the electrode and that the pilot ignition is established. After approximately 20 seconds the main burner will light on the high setting.
- Check that the inlet pressure 20mbar +/- 1 mbar for natural gas or 37mbar +/- 1 mbar for L.P.G.
- Refit pressure test point screw and check for leaks.

SECTION TWELVE Instruct and Advise the Customer

- Demonstrate the lighting and extinguishing procedure to the consumer/user and the removal and refitting of the glass panel for cleaning.
- Explain that for the first few hours of the fire operating there will be an initial odour. This is due to the curing of the paint, the appliance should be operated on its high setting, and it is recommended that a window is left open until that odour has completely disappeared.
- Instruct on the fuel bed cleaning and advise that a vacuum cleaner can be used but only after all the loose fuel bed shapes have been removed. **Refer to 'Health & Safety Notice (See Section One) at the front of this booklet before proceeding.**
- Advise that the appliance should be serviced annually by a competent person i.e. a **Gas Safe registered engineer** in accordance with these instructions.
- Although the appliance is fitted with a glass front which acts as a dress guard it is strongly recommended that a fireguard should be used for the protection of children, the elderly or infirm. Fireguards should conform to B. S. 6539 (1984) (Fireguards for use with solid fuel appliance)

MAINTENANCE INSTRUCTION

SECTION THIRTEEN

General

- Servicing should be carried out annually by a competent person such as a Gas Safe-registered person in accordance with the relevant regulations, to ensure the safe and correct operation of the appliance.

Warning: - Before commencing any service or replacement of parts, turn off the gas supply to the fire.

- After servicing check for gas soundness.
- When ordering spare parts please quote appliance name and serial number these can be found on the data badge, which is located on the appliance, remove decorative front for access.
- If soot has accumulated check to establish cause, rectify and clean flue accordingly.

Important: - Refer to 'Health & Safety Notice (See Page 3) at the front of this booklet before removing the fuel bed components.

- Examine the logs for signs of cracking and replace if necessary.(IMPORTANT) see log layout procedure in section four of this manual before attempting to replace logs, which should only be replaced as a complete set with no extra logs added.
- Remove stove top plate and check the condition of the relief flap gasket.
-

Replacement of Gas Control

1. Turn off the gas supply by the Restrictor Elbow and disconnect.
2. Remove the stove front panel.
3. Remove Glass (See Section Four.)
4. Remove all loose fuel bed components.
5. Disconnect battery leads and remove appliance battery pack. Detach remote control eye from hearth. (See Section Seven when repositioning.)
6. Remove the fixing nut securing the valve carrier unit into the casing.
7. Disconnect fire at inlet elbow and remove burner unit from the casing.
8. Disconnect the thermocouple from the rear of the gas valve.
9. Undo the three compression nuts securing the pipes to the gas valve and remove the two screws fixing the valve to the bracket.
10. Clean, service or replace gas valve.
11. Re-assemble in the reverse order.
12. Turn on the gas supply, check for soundness and re-commission appliance.

Replacement of Injector

1. Remove the stove front panel and turn off the gas supply by the isolation cock.
2. Remove the glass and fuel bed components as described earlier in this manual.
3. Undo and remove the 2 screws holding the burner in place
4. Carefully remove the burner lifting from the right hand end of the burner.
5. Loosen and remove the injector.
6. Clean or replace the injector and replace in reverse order, ensuring that the connection to the injector fixing is sound air test if in doubt.
7. Turn on the gas supply, check for soundness and re-commission.

Replacement of the Thermocouple

1. Open the door and remove the front panel.
2. Remove the glass and fuel bed components as described earlier in this manual.
3. Turn off the gas supply by the Restrictor Elbow and disconnect from fire.
4. Remove the HT lead, Pilot feed pipe and thermocouple lead from the pilot assembly.
5. Undo and remove the 2 screws holding the burner in place. Carefully remove the burner lifting from the right hand end of the burner.
6. Remove the single nut retaining the valve carrier from the stove body.
7. Slacken off the burner injector bottom nut and rotate the valve carrier around the burner pipe to enable access.
8. Replace in reverse order, check all joints are gas tight and recommission.

Replacement of the Pilot Injector

1. Undo the pilot tube nut at the pilot bracket.
2. Pull the pipe gently back taking care not to damage.
3. Remove the pilot injector from inside the pilot bracket.
4. Clean or replace in reverse order, turn on the gas supply, check for soundness and re-commission.

REPLACEMENT OF CONTROL UNIT (EDB)

1. Pull off the cable connections from the E.D.B. board.
2. Unscrew the retaining nut securing the E.D.B
3. Replace in reverse order.
4. Reconnect the battery pack and test the operation of the appliance.

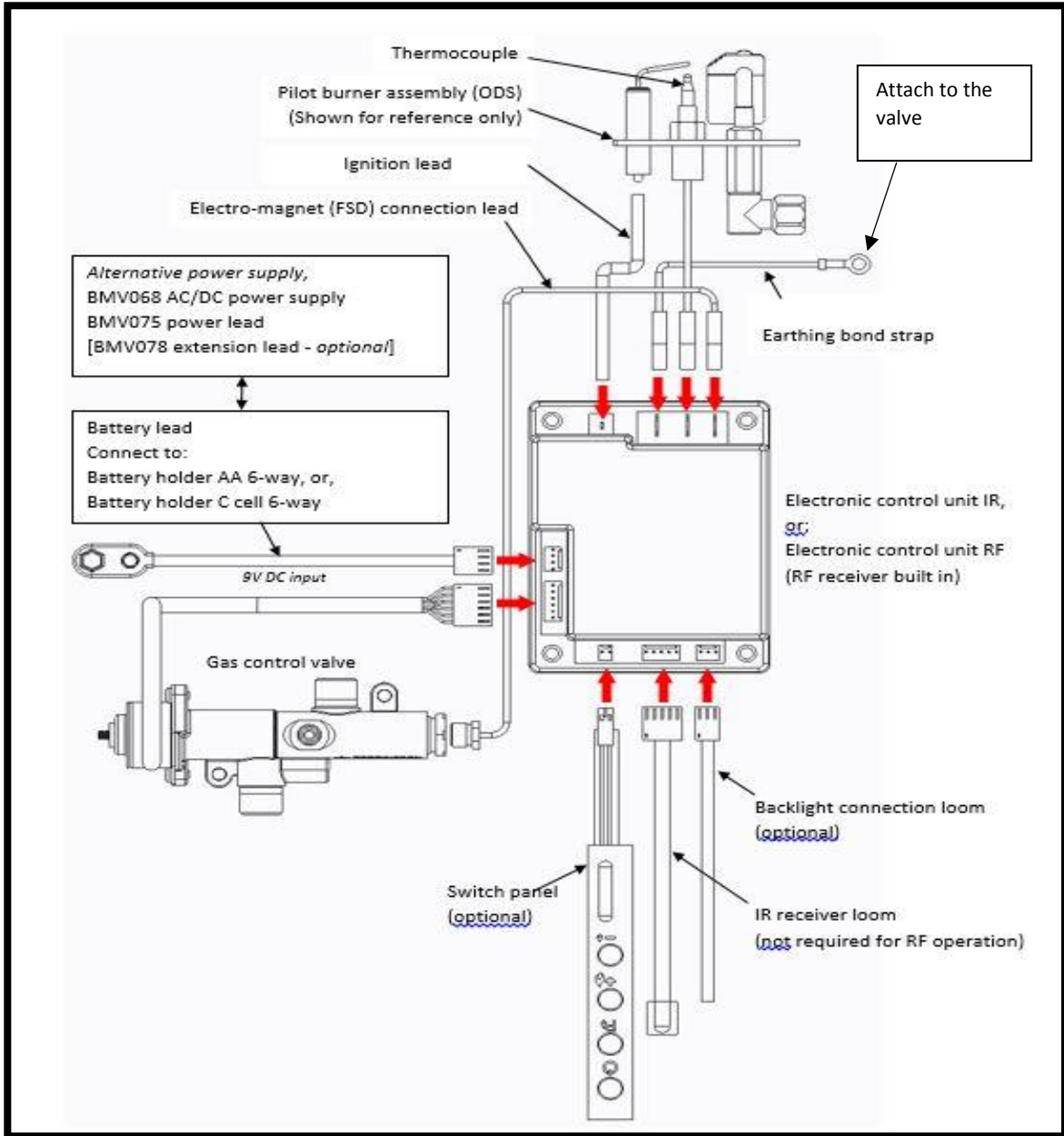
When ordering parts quote 'PARAGON BF GAS STOVE REMOTE' and the serial number of the fire, which can be found on the data badge located on a plate attached to the rear leg.

SECTION FOURTEEN Short Spare's List

Parts may vary/change due to development of products. A serial number should always be supplied when ordering parts to make sure you receive the correct part.

Parts able to be ordered by customer	
Part Description	Part Number
Glass panel	7489
Glass frame	7493
7mm nut spinner (glass removal tool)	5435
Complete Log set	7291
Handset	6598
Parts that require a GAS SAFE engineer to order/fit	
Part Description	Part Number
Valve	6590
EDB	6592
Battery Lead	6596
Burner bar NG	3051
Burner bar L.P.G	5719
Earth Bonding Strip	6776
Battery Holder	4490
IR Receiver	6595
Ignition Lead	6646
Restrictor elbow	2189
Parts to make oxy pilot:	
Pilot bracket	2072
Pilot injector NG	2073
Pilot injector L.P.G	2238
Olive hook	2074
4mm nut hook	2075
Electrode	2078
Electrode retaining bracket	2076
Thermocouple split lead	4739
pilot gasket	2110

SECTION FIFTEEN Wiring Diagram (MAINTENANCE INSTRUCTIONS)



BALANCED FLUE GAS FIRE COMMISSIONING CHECKLIST

This Commissioning Checklist is to be completed in full by the competent person who commissioned the gas fire as a means of demonstrating compliance with the appropriate Building Regulations and then handed to the customer to keep for future reference.

Failure to install and commission according to the manufacturer's instructions and complete this Benchmark Commissioning Checklist will invalidate the warranty. This does not affect the customer's statutory rights. **PLEASE COMPLETE IN BLOCK CAPITALS.**

Customer name:	Telephone number:
Address:	
Gas Fire make and model:	
Installation location: i.e living/dining room.	
Gas Fire serial number:	
Commissioned by (PRINT NAME):	Gas Safe register number:
Company name:	Telephone number:
Company address:	
	Commissioning date:
Building Regulations Notification Number (if applicable):	

Site Requirements	Yes	N/A
Is the flue terminal sited and fitted as per the manufacturer's instructions?		
Has a flue guard been fitted?		
Hearth Requirements- where fitted		
Is the hearth constructed from non -combustible material?		
Is the hearth a minimum of 12mm thick with a minimum floor to top surface of 50mm?(BS5871) or as per manufacturer's instructions?		
Is the hearth for open fronted fires a minimum of 760mm wide and has 300mm projecting from the fire opening (BS6871) or to manufacturer's instructions?		
Mounting height (where applicable) has the fire been installed to the correct mounting height- as per manufacturer's instructions?		
Firebox and Fuel Bed		
Has the fuel bed, coals, logs, pebbles etc. been fitted to manufacturer's instructions?		
Gas Supply		
Has an isolation valve inlet elbow been fitted for servicing?		
Has the gas supply been thoroughly purged prior to connection to remove any debris?		
Has a gas tightness test been completed prior to breaking into the gas supply and following completion of installation?(IGEM/UP/1B)		
Has the correct gas type been chosen as per manufacturer's instructions?		
Record burner gas pressure reading? If only the supply pressure is available a gas rate must be undertaken.(GSIUR REG26/9C)		
Record dynamic inlet gas pressure (working pressure) reading (all gas appliances running)		
Installation		
Has the gas fire/convector heater been installed and commissioned in accordance with manufacturer's instructions?		
Has the gas fire/convector heater been installed with the correct clearance to combustible materials, service and general clearances adhered to as per manufacturer's instructions?		
The operation of the fire/convector heater and controls have been demonstrated and understood by the customer, including replacement of batteries?		
The manufacturer's literature, including Benchmark Checklist and Service record has been explained and left with the customer?		
Has the appliance been registered with the Local Authority, as detailed on the Gas Safe web site and is a legal requirement and forms part of the warranty?		
Commissioning Engineer's Signature		
Customer's Signature (To confirm satisfactory demonstration and receipt of manufacturer's literature)		

*All installations in England and Wales must be notified to be Local Authority Building Control (LABC) either directly or through a Competent Persons Scheme. A Building Regulations Compliance Certificate will then be issued to the customer

SERVICE RECORD

It is essential that your gas fire is serviced regularly and that the appropriate Service Interval Record is completed. Service Provider

Before completing the appropriate Service Record below, please ensure you have carried out the service as described in the manufacturer's instructions. Always use the manufacturer's specified spare part when replacing controls.

SERVICE 01	Date:
Engineer name:	
Company name:	
Telephone No:	
Gas safe register No:	
Comments:	
Signature	

SERVICE 02	Date:
Engineer name:	
Company name:	
Telephone No:	
Gas safe register No:	
Comments:	
Signature	

SERVICE 03	Date:
Engineer name:	
Company name:	
Telephone No:	
Gas safe register No:	
Comments:	
Signature	

SERVICE 04	Date:
Engineer name:	
Company name:	
Telephone No:	
Gas safe register No:	
Comments:	
Signature	

SERVICE 05	Date:
Engineer name:	
Company name:	
Telephone No:	
Gas safe register No:	
Comments:	
Signature	

Product ID Label	A-0677	Serial No Prefix	RT (Ng)
	A-0692	Serial No Prefix	RU (Lpg)
Data Badge			
Burner Tray / Box Assembly			
Air Test Completed			
Warning Label (1409)			
Grommet (4554)			
Glass Sub-Assembly			
"AAA" Batteries (2)			
Remote Control Hand Set			
"AA" Batteries (12)			
Handset (6598)			
Battery Holder			
Log Set/coal set (Complete)			
Flue/Terminal Kit (boxed)			
Owners Book			
Additional Fixings (Part No A-0411)			
Inspector			
Serial Number			